

**STANDARD 1: SCIENCE AS INQUIRY**

**GRADES 3-4**

**SCIENCE AS INQUIRY – The student will experience science as inquiry.**

**Benchmark 1: The student will develop the skills necessary to do full inquiry. *Full inquiry* involves asking a simple question, completing an *investigation*, answering the question, and sharing the results with others.**

Grades 3-4 Indicators	Instructional Examples
<p>The student...</p> <ol style="list-style-type: none"> <li>1. ▲ asks questions that he/she can answer by investigating.</li> <li>2. ▲ plans and conducts a simple investigation.</li> <li>3. ▲ employs appropriate equipment, <i>tools</i>, and safety procedures to gather data.</li> <li>4. ▲ demonstrates the ability to communicate, critique, analyze his/her own investigations, and interpret the work of other students.</li> </ol>	<p>The student...</p> <ol style="list-style-type: none"> <li>1. asks questions like: will the size of the opening of a container change the rate of evaporation of liquids? How much water will a sponge hold?</li> <li>2. designs a test of the wet strength of paper towels; experiments with plant growth; experiments to find ways to prevent soil erosion.</li> <li>3.               <ol style="list-style-type: none"> <li>a. uses a balance to find the <i>mass</i> of the wet paper towel in grams; uses meter tape to measure the diameter of a rock; uses the same size containers to compare evaporation rates of different liquids.</li> <li>b. uses appropriate precautions, procedures, and safety equipment when conducting <i>investigations</i>.</li> </ol> </li> <li>4. describes <i>investigations</i> with pictures, graphs, written language, and oral presentations.</li> </ol>
<p>Teacher Notes:            Not every activity will involve all of these stages nor must any particular sequences of these stages be followed.</p> <p><i>Full inquiry</i> – involves asking a simple question, completing an investigation, answering the question, and presenting the results to others. In elementary grades, students begin to develop the physical and intellectual abilities of scientific inquiry. They can design investigations to try things to see what happens. Students tend to focus on concrete results of tests and will entertain the idea of a “fair” test (a test in which only one variable at a time is changed) (see p. 122 in the NSES, 1996).</p> <p><i>Investigation</i> – finding the answer to a question.</p> <p><i>Tools</i> – object(s) used to achieve a goal, to make an observation, and extend the senses (see p. 122 in the NSES, 1996).</p> <p><i>Mass</i> - measure of the amount of material something contains.</p> <p>▲ = Recommended Grade 4 Assessed Indicator</p>	

**STANDARD 2: PHYSICAL SCIENCE**

**GRADES 3-4**

**PHYSICAL SCIENCE - The student will increase their understanding of the *properties* of objects and materials that they encounter on a daily basis. The student will compare, describe, and sort and *classify* these materials by observable properties.**

**Benchmark 1: The student will develop skills to describe objects.**

Grades 3-4 Indicators	Instructional Examples
<p>The student...</p> <ol style="list-style-type: none"> <li>1. ▲ observes <i>properties</i> of objects and measures those <i>properties</i> using appropriate <i>tools</i>.</li> <li>2. ▲ describes and <i>classifies</i> objects by more than one property.</li> <li>3. ▲ observes and records how one object <i>interacts</i> with another object.</li> <li>4. ▲ recognizes and describes the differences between solids, liquids, and gases.</li> </ol>	<p>The student...</p> <ol style="list-style-type: none"> <li>1. observes and records the size, <i>mass</i>, shape, volume, color, and temperature of objects using balances, thermometers, and other <i>metric measurement tools</i>.</li> <li>2. observes that an object could be hard, round, and rough; <i>classifies</i> objects by two or more <i>properties</i>.</li> <li>3. mixes baking soda and vinegar, or tea bag/food coloring and water, and records observations.</li> <li>4. observes differences between a stick of butter and the butter melted, a chocolate bar and the chocolate melted, ice, melted ice, and evaporating water; observes that a solid has a shape of its own and a liquid takes the shape of its container; observes differences between an inflated and a deflated balloon.</li> </ol>
<p>Teacher Notes:            Through observation, manipulation, and classification of common objects, children reflect on the similarities and differences of the objects.</p> <p><i>Properties</i> – word that describes an object based on direct observations using touch, sight, hearing, taste, smell, and measurements.  <i>Classify</i> – a method for establishing order on collections of objects or events. Students use classification systems to identify objects or events, to show similarities, differences, and interrelationships. It is important to realize that all classification systems are subjective and may change as criteria change; the test for a good classification system is whether others can use it.  <i>Tools</i> – object(s) used to achieve a goal, to make an observation, and extend the senses (see p.122 in the NSES, 1996).  <i>Interact</i>- when two or more things do something to each other.  <i>Mass</i> - measure of the amount of material something contains.  <i>Metric measurements</i> – meter, centimeter, millimeter, liter, milliliter, gram, kilogram, Celsius            ▲ = Recommended Grade 4 Assessed Indicator</p>	

**STANDARD 2: PHYSICAL SCIENCE**

**GRADES 3-4**

**PHYSICAL SCIENCE – The student will increase their understanding of the properties of objects and materials that they encounter on a daily basis. The student will compare, describe, and sort and classify these materials by observable properties.**

**Benchmark 2: The student will describe the movement of objects.**

Grades 3-4 Indicators	Instructional Examples
<p>The student...</p> <ol style="list-style-type: none"><li>1. ▲ moves objects by pushing, pulling, throwing, spinning, dropping, and rolling and describes the motion.</li><li>2. describes locations of objects.</li><li>3. observes that a force (a push or a pull) is applied to make objects move or stop moving.</li></ol>	<p>The student...</p> <ol style="list-style-type: none"><li>1. spins or rolls a variety of objects on various surfaces and explains what caused the objects to move.</li><li>2. describes the relative location of objects as up, down, in front, or behind.</li></ol>
<p>Teacher Notes: Students begin to observe the position and movement of objects when they manipulate objects by pushing, pulling, throwing, dropping, and rolling them.</p> <p>▲ = Recommended Grade 4 Assessed Indicator</p>	

**STANDARD 2: PHYSICAL SCIENCE**

**GRADES 3-4**

**PHYSICAL SCIENCE – The student will increase their understanding of the properties of objects and materials that they encounter on a daily basis. The student will compare, describe, and sort and classify these materials by observable properties.**

**Benchmark 3: The student will recognize and demonstrate what makes sounds.**

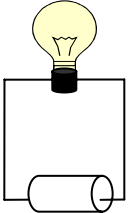
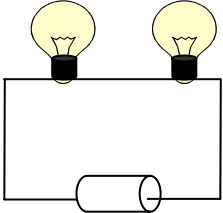
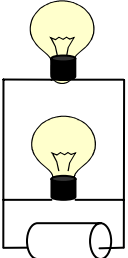
Grades 3-4 Indicators	Instructional Examples
<p>The student...</p> <ol style="list-style-type: none"><li>1. discriminates between sounds made by different objects.</li><li>2. discriminates between various pitches.</li><li>3. ▲ identifies that the source of sound is vibrations.</li></ol>	<p>The student...</p> <ol style="list-style-type: none"><li>1. listens and compares the sounds made by musical instruments and other objects, such as cans, gourds, plastic spoons, pennies, and plastic disks; sorts and classifies a group of objects according to the sounds they make when they are dropped.</li><li>2. identifies high and low pitches.</li><li>3. explores various vibrating objects (tuning forks, rulers, tongue depressors, musical instruments, etc.) that produce sound.</li></ol>
<p>Teacher Notes: The concept of sound is very abstract. However, by investigating a variety of sounds made by common objects, students can form a connection between sounds the objects make and the materials from which the objects are made. Plastic objects make a different sound than do wooden objects, etc.</p> <p>▲ = Recommended Grade 4 Assessed Indicator</p>	

**STANDARD 2: PHYSICAL SCIENCE**

**GRADES 3-4**

**PHYSICAL SCIENCE – The student will increase their understanding of the properties of objects and materials that they encounter on a daily basis. The student will compare, describe, and sort and classify these materials by observable properties.**

**Benchmark 4: The student will experiment with electricity and magnetism-**

Grades 3-4 Indicators	Instructional Examples
<p>The student...</p> <ol style="list-style-type: none"> <li>1. ▲ demonstrates that magnets attract and repel.</li> <li>2. ▲ designs a simple experiment to determine whether various objects will be attracted to magnets.</li> <li>3. ▲ constructs a <i>simple, parallel, or series circuit</i>.</li> </ol>	<p>The student...</p> <ol style="list-style-type: none"> <li>1               <ol style="list-style-type: none"> <li>a. explores the <i>interactions</i> between two magnets.</li> <li>b. designs a simple experiment with two magnets to show that they attract or repel.</li> </ol> </li> <li>2. designs an experiment involving a group of objects to determine which are attracted to or repelled by the magnet.</li> <li>3.               <ol style="list-style-type: none"> <li>a. uses a battery, bulb, and wire to light a bulb.</li> <li>b. uses several bulbs, batteries, and wires to make a series circuit.</li> <li>c. uses several bulbs, batteries, and wires to make a parallel circuit.</li> </ol> </li> </ol>
<p>Teacher Notes: Students will develop the concept that electrical circuits require a complete loop through which an electric current can pass. Magnets attract and repel each other and certain kinds of other materials.</p> <div style="display: flex; justify-content: space-around; align-items: flex-end;"> <div style="text-align: center;"> <p><i>Simple circuit</i></p>  <p>- Battery +</p> </div> <div style="text-align: center;"> <p><i>Series circuit</i></p>  <p>- Battery +</p> </div> <div style="text-align: center;"> <p><i>Parallel circuit</i></p>  </div> </div>	

*Interact* – when two or more things do something to each other.

▲ = Recommended Grade 4 Assessed Indicator

**STANDARD 3: LIFE SCIENCE**

**GRADES 3-4**

**LIFE SCIENCE – The student will develop an understanding of biological concepts through direct experience with living things, their life cycles, and their habitats.**

**Benchmark 1: The student will develop knowledge of organisms in their environment.**

Grades 3-4 Indicators	Instructional Examples
<p>The student...</p> <ol style="list-style-type: none"><li>1. ▲ observes organisms and compares and contrasts different structural characteristics and the distinct functions of these structures.</li><li>2. ▲ compares basic needs of different organisms in their environment.</li><li>3. discusses ways organisms use their senses to survive in their environments.</li></ol>	<p>The student...</p> <ol style="list-style-type: none"><li>1. compares the structures for movement of an insect to the structures for movement of a guppy; compares the leaf structures of a sprouted bean seed to the leaf structures of a corn seed.</li><li>2. compares the basic needs of an animal to the basic needs of a plant.</li><li>3. compares how organisms find food, seek shelter (bird nests, beaver dams, etc.), and defend themselves.</li></ol>
<p>Teacher Notes: The study of organisms should include observations and interactions within the natural world of the child.</p> <p>Each plant or animal has different structures that serve different functions in growth, survival, and reproduction. For example, humans have distinct body structures for walking, holding, seeing, and talking (see p. 129 in the NSES, 1996).</p> <p>▲ = Recommended Grade 4 Assessed Indicator</p>	

**STANDARD 3: LIFE SCIENCE**

**GRADES 3-4**

**LIFE SCIENCE – The student will develop an understanding of biological concepts through direct experience with living things, their life cycles, and their habitats.**

**Benchmark 2: The student will observe and illustrate the life cycles of various organisms.**

Grades 3-4 Indicators	Instructional Examples
The student...  1. ▲ compares, contrasts, and asks questions about life cycles of various organisms.	The student...  1. plants a seed; observes and records its growth; observes and records the changes of an insect as it develops from birth to adult.
<p>Teacher Notes: Plants and animals have life cycles that include being born, developing into adults, reproducing, and eventually dying. Organisms develop into adults that are similar to their parents.</p> <p>▲ = Recommended Grade 4 Assessed Indicator</p>	

**STANDARD 4: EARTH AND SPACE SCIENCE**

**GRADES 3-4**

**EARTH AND SPACE SCIENCE – The student will observe objects, materials, and changes in their *environment*, note their *properties*, distinguish one from another, and develop their own explanations of how things become the way they are.**

**Benchmark 1: The student will develop an understanding of the properties of *earth materials*.**

Grades 3-4 Indicators	Instructional Examples
<p>The student...</p> <ol style="list-style-type: none"> <li>1. ▲ collects, observes <i>properties</i>, and <i>classifies</i> a variety of <i>earth materials</i> in his/her <i>environment</i>.</li> <li>2. investigate the properties of a variety of soils (clay, silt, sand, and loam).</li> <li>3. ▲ describes <i>properties</i> of many different kinds of rocks.</li> <li>4. observes <i>fossils</i> and discusses how <i>fossils</i> provide evidence of plants and animals that once lived.</li> </ol>	<p>The student...</p> <ol style="list-style-type: none"> <li>1. brings in samples of <i>earth materials</i> from his/her surroundings to observe color, texture, and other physical <i>properties</i>, and observes and <i>classifies</i> rocks, soil, sand, and water.</li> <li>2. plants seeds in a variety of soils to compare and collect data on the effect of different soils on plant growth; experiments with soil samples and observes how they react to water, wind, compaction, etc...</li> <li>3. examine the properties of a variety of rocks (effect of immersion in water, color, texture, and reaction to dilute acid [vinegar]).</li> <li>4. observes a variety of <i>fossils</i>.</li> </ol>
<p>Teacher Notes:</p> <p>Earth materials may include rocks, soil, air, and water. Playgrounds or parks are convenient study sites to observe.</p> <p><i>Environment</i> - all external conditions and factors, living and non-living that affect an organism during its lifetime.</p> <p><i>Properties</i> – word that describes an object based on direct observations using touch, sight, hearing, taste, smell, and measurements.</p> <p><i>Earth materials</i> - rocks, soil, water, and the gases of the atmosphere. The varied materials have different physical and chemical properties which make them useful in different ways.</p> <p><i>Classify</i> – a method of establishing order on collections of objects or events. Students use classification systems to identify objects or events, to show similarities, differences, and interrelationships. It is important to realize that all classification systems are subjective and may change as criteria change; the test for a good classification system is whether others can use it.</p> <p><i>Fossil</i> - part of a once-living organism or a trace of an organism preserved in rock.</p> <p>▲ = Recommended Grade 4 Assessed Indicator</p>	

**STANDARD 4: EARTH AND SPACE SCIENCE**

**GRADES 3-4**

**EARTH AND SPACE SCIENCE – The student will observe objects, materials, and changes in their environment, note their *properties*, distinguish one from another, and develop their own explanations of how things become the way they are.**

**Benchmark 2: The student will observe and describe objects in the sky.**

Grades 3-4 Indicators	Instructional Examples
<p>The student...</p> <ol style="list-style-type: none"> <li>1. describes the motion of the moon and stars.</li> <li>2. observes and compares the length of shadows.</li> <li>3. ▲ discusses that the sun provides light and heat (electromagnetic radiation) to maintain the temperature of the earth.</li> </ol>	<p>The student...</p> <ol style="list-style-type: none"> <li>1. sketches the position of the moon in relation to a tree, rooftop, or building at two or three hourly increments on the same evening.</li> <li>2. observes the movement of an object's shadow during the course of a day; constructs a simple sundial.</li> <li>3. discusses why it seems cooler when the sun goes behind a cloud, and then investigates why it is cooler in the shade versus direct sunlight.</li> </ol>
<p><b>Teacher Notes:</b>                      The sun, moon, stars, clouds, birds, and other objects such as airplanes have <i>properties</i> that can be observed and compared.</p> <p><i>Properties</i> – word that describes an object based on direct observations using touch, sight, hearing, taste, smell, and measurements.</p> <p>▲ = Recommended Grade 4 Assessed Indicator</p>	

**STANDARD 4: EARTH AND SPACE SCIENCE**

**GRADES 3-4**

**EARTH AND SPACE SCIENCE – The student will observe objects, materials, and changes in their environment, note their properties, distinguish one from another, and develop their own explanations of how things become the way they are.**

**Benchmark 3: The student will develop skills necessary to describe changes in the earth and weather.**

Grades 3-4 Indicators	Instructional Examples
<p>The student...</p> <ol style="list-style-type: none"><li>1. ▲ describes changes in the surface of the earth as a result of erosion.</li><li>2. ▲ observes, describes, and records daily and seasonal weather changes.</li></ol>	<p>The student...</p> <ol style="list-style-type: none"><li>1. observes <i>erosion</i> at a study site.</li><li>2. records weather observations using simple instruments (metric rain gauge, Celsius thermometer, etc.).</li></ol>
<p>Teacher Notes: If the students revisit a study site regularly, they will develop an understanding that the earth's surface and weather are constantly changing.</p> <p><i>Erosion</i> – movement of earth materials from one place to another by wind, water, or force of gravity.</p> <p>▲ = Recommended Grade 4 Assessed Indicator</p>	

**STANDARD 5: SCIENCE AND TECHNOLOGY**

**GRADES 3-4**

**SCIENCE AND TECHNOLOGY – The student will have a variety of educational experiences which involve science and technology. The student will begin to understand the design process, which includes this general sequence: state the problem, the design, and the solution.**

**Benchmark 1: The student will work with a technology design.**

Grades 3-4 Indicators	Instructional Examples
<p>The student...</p> <p>1. ▲ identifies a simple <i>design problem</i> (designs a plan, implements the plan, evaluates the results, makes changes to improve the product, and communicates the results).</p>	<p>The student...</p> <p>1. a. tries different kinds of tools for making the biggest bubbles or the longest lasting bubbles.</p> <p>b. designs and flies a paper airplane that makes one loop before landing.</p>
<p>Teacher notes:</p> <p>As with the Science as Inquiry Standard, not every activity will involve all stages. Students will develop the ability to solve simple design problems that are appropriate for their developmental level.</p> <p>Teachers should guide students to make only one change at a time to the product as the product is being developed.</p> <p><i>Design problem</i> – developing or inventing a product that accomplishes a task or challenge.</p> <p>▲ = Recommended Grade 4 Assessed Indicator</p>	

**STANDARD 5: SCIENCE AND TECHNOLOGY**

**GRADES 3-4**

**SCIENCE AND TECHNOLOGY – The student will have a variety of educational experiences which involve science and technology. They will begin to understand the design process, which includes this general sequence: state the problem, the design, and the solution.**

**Benchmark 2: The student will apply their understanding about science and technology.**

Grades 3-4 Indicators	Instructional Examples
<p>The student...</p> <ol style="list-style-type: none"> <li>1. discusses that science is a way of investigating questions about their world.</li> <li>2. invents a product to solve problems.</li> <li>3. works with others to solve problems.</li> <li>4. develops an awareness that women and men of all ages, backgrounds, and ethnic groups engage in a variety of scientific and technological work.</li> <li>5. investigates how scientists use <i>tools</i> to observe.</li> </ol>	<p>The student...</p> <ol style="list-style-type: none"> <li>1. discuss questions answered using science such as: Why was the zipper designed? What problem did the zipper solve? How has the zipper improved our lives? How is Velcro like a zipper? What problem was solved by Velcro? How has Velcro improved our lives?</li> <li>2. invents a new use for old products: potato masher, strainer, carrot peeler, or two- liter pop bottle; uses a juice can, two-liter pop bottle or one-half gallon milk jug to invent something useful; invents something to solve a problem.</li> <li>3. solves a problem by working with others, sharing ideas, and testing the solutions.</li> <li>4. interviews parents and other community and school workers to determine how they use science and technology in their work.</li> <li>5. engages in Internet or library research; interviews or visits a school nurse’s, veterinarian’s, dentist’s, or weatherman’s office/laboratory to learn about the <i>tools</i> they use.</li> </ol>
<p>Teacher notes:                      As with the Science as Inquiry Standard, not every activity will involve all stages. Students will develop the ability to solve simple design problems that are appropriate for their developmental level.</p> <p>Children’s abilities in technological problem-solving can be developed by firsthand experiences in tackling tasks with a technological purpose. They can study technological products and systems in their world: zippers, coat hooks, can openers, bridges, paper clips, etc.</p> <p><i>Tools</i> – object(s) used to achieve a goal, to make an observation, and extend the senses (see p. 122 in the NSES, 1996).</p>	

▲ = Recommended Grade 4 Assessed Indicator

**STANDARD 6: SCIENCE IN PERSONAL AND ENVIRONMENTAL PERSPECTIVES**

**GRADES 3-4**

**SCIENCE IN PERSONAL AND ENVIRONMENTAL PERSPECTIVES – The student will demonstrate personal health and environmental practices.**

**Benchmark 1: The student will develop an understanding of personal health.**

Grades 3-4 Indicators	Instructional Examples
<p>The student...</p> <ol style="list-style-type: none"> <li>1. discusses that safety involves freedom from danger, risk, or injury.</li> <li>2. assumes some responsibility for his/her own health.</li> <li>3. ▲ discusses the nutritional value of various foods and their contribution to health.</li> </ol>	<p>The student...</p> <ol style="list-style-type: none"> <li>1. takes part in classroom discussions which could include bike safety, water safety, weather safety, sun protection, etc...</li> <li>2. practices good dental hygiene and cleanliness; discusses healthy exercise and sleep habits.</li> <li>3. reads and compares nutrition information found on labels; discusses healthy foods; makes a healthy snack.</li> </ol>
<p>Teacher notes:</p> <p>A variety of experiences will be provided to understand various science-related personal and environmental challenges. This standard should be integrated with physical science, life science, and earth &amp; space science standards.</p> <p>Personal health involves physical and mental well being, including hygienic practices, and self-respect.</p> <p>As with the Science as Inquiry Standard, not every activity will involve all stages. Students will develop the ability to solve simple design problems that are appropriate for their developmental level.</p> <p>Children’s abilities in technological problem-solving can be developed by firsthand experiences in tackling tasks with a technological purpose. They can study technological products and systems in their world: zippers, coat hooks, can openers, bridges, paper clips, etc.</p> <p>▲ = Recommended Grade 4 Assessed Indicator</p>	

**STANDARD 6: SCIENCE IN PERSONAL AND ENVIRONMENTAL PERSPECTIVES****GRADES 3-4****SCIENCE IN PERSONAL AND ENVIRONMENTAL PERSPECTIVES – The student will demonstrate personal health and environmental practices.****Benchmark 2: The student will demonstrate an awareness of changes in the environment.**

Grades 3-4 Indicators	Instructional Examples
<p>The student...</p> <ol style="list-style-type: none"> <li>1. defines all types of pollution (air, water, littering, noise, etc.).</li> <li>2. develops personal actions to solve pollution problems in and around the neighborhood.</li> <li>3. practices reducing, reusing, and recycling.</li> </ol>	<p>The student...</p> <ol style="list-style-type: none"> <li>1. takes a pollution walk, gathering examples of litter and trash.</li> <li>2. after the pollution walk, works with other children to solve pollution problems observed.</li> <li>3. presents the problem that paper is being wasted in the classroom; meets with other students and forms a plan to resolve this problem.</li> </ol>
<p>Teacher notes:</p> <p>A variety of experiences will be provided to understand various science-related personal and environmental challenges. This standard should be integrated with physical science, life science, and earth &amp; space science standards.</p> <p>Through classroom discussions, students can begin to recognize pollution as an environmental issue, scarcity as a resource issue, and crowded classrooms or schools as a population issue.</p> <p>▲ = Recommended Grade 4 Assessed Indicator</p>	

**STANDARD 7: HISTORY AND NATURE OF SCIENCE**

**GRADES 3-4**

**HISTORY AND NATURE OF SCIENCE – The student will experience some things about scientific inquiry and learn about people from history.**

**Benchmark 1: The student will develop an awareness that people practice science.**

Grades 3-4 Indicators	Instructional Examples
<p>The student...</p> <ol style="list-style-type: none"> <li>1. recognizes that students participate in science inquiry by asking questions.</li> <li>2. observes, using various media, historical samples of people in science who have made contributions.</li> </ol>	<p>The student...</p> <ol style="list-style-type: none"> <li>1. asks questions such as: How are plants affected by various amounts of light? Which is the “best” paper towel (define best)? Which liquid causes substances such as a jawbreaker, chocolate candy, and Jell-O to dissolve more quickly?</li> <li>2. reads short stories; views films or videos; discusses contributions made by people in science.</li> </ol>
<p>Teacher notes:</p> <p>Experiences of investigating and thinking about explanations, not memorization, will provide fundamental ideas about the history and nature of science. Students will observe and compare, pose questions, gather data and report findings. Posing questions and reporting findings are human activities that all students are able to understand. This standard should be integrated with physical science, life science, and earth and space science standards.</p> <p>Science and technology have been practiced by people for a long time. Children and adults can derive great pleasure from doing science. They can investigate and experience science. Individuals, as well as groups of students, can conduct investigations.</p> <p>Teachers need to help students understand that asking questions is the beginning of doing science.</p> <p>▲ = Recommended Grade 4 Assessed Indicator</p>	

**STANDARD 1: SCIENCE AS INQUIRY**

**GRADES 5-7**

**SCIENCE AS INQUIRY – The student will develop the abilities to do *scientific inquiry*, be able to demonstrate how *scientific inquiry* is applied, and develop understandings about *scientific inquiry*.**

**Benchmark 1: The student will demonstrate abilities necessary to do the processes of *scientific inquiry*.**

Grades 5-7 Indicators	Instructional Examples
<p>The student...</p> <ol style="list-style-type: none"> <li>1. ▲ identifies questions that can be answered through scientific investigations.</li> <li>2. ▲ designs and conducts <i>scientific investigations</i> safely using appropriate tools, mathematics, <i>technology</i>, and techniques to gather, analyze, and interpret data.</li> <li>3. ▲ identifies the relationship between evidence and logical conclusions.</li> </ol>	<p>The student...</p> <ol style="list-style-type: none"> <li>1. explores properties and phenomena of various materials and generates testable questions to investigate.</li> <li>2.             <ol style="list-style-type: none"> <li>a. designs and conducts an investigation on the question, "Which paper towel absorbs the most water?" (Materials include different kinds of paper towels, water, and a graduated cylinder. Components of the investigation may include background and hypothesis, identification of independent variable, dependent variable, constants, list of materials, procedures, collection and analysis of data, and conclusions).</li> <li>b. given an investigative question, determines what to measure and how to measure.</li> <li>c. displays data collected from performing an investigation using tables, graphs, diagrams and other graphic organizers.</li> </ol> </li> <li>3.             <ol style="list-style-type: none"> <li>a. checks data to determine: Was the question addressed? Was the hypothesis supported/not supported? Did this design work? How could this experiment be improved? What other questions could be investigated?</li> <li>b. looks for patterns from the mean of multiple trials, such as the rate of dissolving relative to different temperatures.</li> <li>c. uses observations for inductive and deductive reasoning, such as explaining a person's energy level after a change in eating habits (e.g., uses Likert-type scale).</li> <li>d. states relationships in data, such as variables, which vary directly or inversely.</li> </ol> </li> </ol>

<p>4. ▲ communicates scientific procedures, results and explanations.</p>	<p>4. presents a report of his/her investigation so that others understand it and can replicate the design.</p>
<p><b>TEACHER NOTES:</b>  Given appropriate curriculum and adequate instruction, students can develop the skills of investigation and the understanding that scientific inquiry is guided by knowledge, observations, questions, and a design which identifies and controls variables to gather evidence to formulate an answer to an original question. Students are to be provided opportunities to engage in full and partial inquiries in order to develop the skills of inquiry.</p> <p>Teachers can facilitate success by providing guidelines or boundaries for studying inquiry. Teachers assist students in choosing interesting questions, monitoring design plans, providing relevant examples of effective observation and organization strategies, and checking and improving skills in the use of instruments, technology, and techniques. Students at the middle level need special guidance in using evidence to build explanations, inferences, and models, guidance to think critically and logically, and to see the relationships between evidence and explanations.</p> <p><i>Scientific inquiry</i> – The diverse ways in which scientists study the natural world and propose explanations based on the evidence derived from their work. Inquiry also refers to the activities of students in which they develop knowledge and understanding of scientific ideas, as well as an understanding of how scientists study the natural world. Inquiry is a multifaceted activity that involves making observations; posing questions; examining books and other sources of information to see what is already known; planning investigations; reviewing what is already known in light of experimental evidence; using tools to gather, analyze, and interpret data; proposing answers, explanations, and predictions; and communicating the results. Inquiry requires identification of assumptions, use of critical and logical thinking, and consideration of alternative (scientific) explanations. Students will engage in selected aspects of inquiry (partial or guided inquiry) as they learn the scientific way of knowing the natural world, but they also should develop the capacity to conduct complete investigations (full inquiry). (From the NSES, p. 23)</p> <p><i>Scientific investigation</i> – A scientific investigation uses scientific inquiry to ask and answer a question.</p> <p><i>Technology</i> - Creates products to meet human needs by applying scientific principles. Science and technology are reciprocal. Science helps drive technology. Technology is essential to science, because it provides instruments and techniques that promote scientific inquiry.</p> <p>▲ = Recommended Grade 7 Assessed Indicator</p>	

**STANDARD 1: SCIENCE AS INQUIRY**

**GRADES 5-7**

**SCIENCE AS INQUIRY – The student will develop the abilities to do scientific inquiry, be able to demonstrate how scientific inquiry is applied, and develop understandings about scientific inquiry.**

**Benchmark 2: The student will apply different kinds of investigations to different kinds of questions.**

Grades 5-7 Indicators	Instructional Examples
<p>The student...</p> <ol style="list-style-type: none"> <li>1. develops questions and adapts (frames) the inquiry process to guide the appropriate type of investigation.</li>   <li>2. differentiates between qualitative and quantitative data in an investigation.</li> </ol>	<p>The student...</p> <ol style="list-style-type: none"> <li>1               <ol style="list-style-type: none"> <li>a. after reading a science news article, identifies variables and writes an appropriate investigative question related to the topic of the article.</li>   <li>b. adapts an existing lab or activity to write a different question, identify another variable, and/or modify the procedure to guide a new investigation.</li> </ol> </li>   <li>2. observes a decomposing compost pile, and determines how to collect quantitative (numerical, measurable) data and qualitative (descriptive) data. Identifies a question that produces quantitative data (e.g., is the temperature constant throughout the compost pile?). Identifies a question that produces qualitative data (e.g., does the color of the compost pile change over time?). With the class, analyzes all questions to classify as qualitative or quantitative.</li> </ol>
<p><b>TEACHER NOTES:</b>            Some investigations involve observing and describing objects, organisms or events. Investigations can also involve collecting specimens, experiments, seeking more information, discovering new objects and phenomena, and creating models to explain the phenomena. Instructional activities of scientific inquiry need to engage students in identifying and shaping questions for investigations. Different kinds of questions suggest different kinds of investigations. Many processes or objects in science cannot be directly observed due to size, distance or other constraints. However, scientific evidence can be used to draw conclusions and develop a model or picture of the process or object.</p> <p>To help focus, students need to frame questions such as, “What do we want to find out?” “How can we make the most accurate observations?” “If we do this, then what do we expect to happen?” Students need instruction to develop the ability to refine and refocus broad and ill-defined questions.</p>	

**STANDARD 1: SCIENCE AS INQUIRY**

**GRADES 5-7**

**SCIENCE AS INQUIRY – The student will develop the abilities to do scientific inquiry, be able to demonstrate how scientific inquiry is applied, and develop understandings about scientific inquiry.**

**Benchmark 3: The student will analyze how science advances through the interaction of new ideas, scientific investigations, skepticism, and examinations of evidence of varied explanations.**

Grades 5-7 Indicators	Instructional Examples
<p>The student...</p> <ol style="list-style-type: none"> <li>1. after completing an investigation, generates alternative methods of investigation and/or further questions for inquiry.</li> <li>2. ▲ evaluates the work of others to determine evidence which scientifically supports or contradicts the results, identifying faulty reasoning or conclusions that go beyond evidence and/or are not supported by data.</li> </ol>	<p>The student...</p> <ol style="list-style-type: none"> <li>1. asks “What would happen if...?” questions to generate new ideas for investigation.</li> <li>2.               <ol style="list-style-type: none"> <li>a. examines and analyzes a scientific breakthrough (such as a Hubble discovery) using multiple scientific sources.</li> <li>b. explains how a reasonable conclusion is supported.</li> <li>c. analyzes evidence and data which supports or contradicts various theories (e.g., theory of continental drift, spontaneous generation, etc.).</li> </ol> </li> </ol>
<p><b>TEACHER NOTES:</b>            Scientific investigations often result in new ideas and phenomena for study. These generate new investigations in the scientific community. Science advances through legitimate skepticism. Asking questions and querying other scientists’ explanations is part of scientific inquiry. Scientists evaluate the proposed explanations by examining and comparing evidence, identifying faulty reasoning, and suggesting other alternatives.</p> <p>Much time can be spent asking students to scrutinize evidence and explanations, but to develop critical thinking skills students must be allowed this time. Data that are carefully recorded and communicated can be reviewed and revisited frequently providing insights beyond the original investigative period. This teaching and learning strategy allows students to discuss, debate, question, explain, clarify, compare, and propose new thinking through social discourse. Students will apply this strategy to their own investigations and to scientific theories.</p> <p>▲ = Recommended Grade 7 Assessed Indicator</p>	

**STANDARD 2: PHYSICAL SCIENCE**

**GRADES 5-7**

**PHYSICAL SCIENCE – The student will apply process skills to develop an understanding of physical science including: properties, changes of properties of matter, motion and forces, and transfer of energy.**

**Benchmark 1: The student will observe, compare, and classify properties of matter.**

Grades 5-7 Indicators	Instructional Examples
<p>The student...</p> <ol style="list-style-type: none"> <li>1. ▲ identifies and communicates properties of matter (including but not limited to: phases of matter, boiling point, solubility, and density).</li> <li>2. distinguishes components of various types of mixtures and categorizes chemicals.</li> </ol>	<p>The student...</p> <ol style="list-style-type: none"> <li>1               <ol style="list-style-type: none"> <li>a. measures and graphs the boiling point temperatures for several different liquids.</li> <li>b. graphs the cooling curve of a freezing ice cream mixture.</li> <li>c. observes substances that dissolve (sugar) and substances that do not dissolve (sand).</li> </ol> </li> <li>2.               <ol style="list-style-type: none"> <li>a. separates sand, iron filings, and salt using a magnet and water.</li> <li>b. observes properties of kitchen powders (baking soda, salt, sugar, flour). Mixes in various combinations, then identifies by properties.</li> </ol> </li> </ol>
<p><b>TEACHER NOTES:</b>            Substances have characteristic properties. Substances often are placed in categories if they react or act in similar ways. An example of a category is metals. There are more than 100 known elements that combine in a multitude of ways to produce compounds, which account for the living and non-living substances we encounter. Middle level students have the capability of understanding relationships among properties of matter. For example, they are able to understand that density is a ratio of mass to volume, boiling point is affected by atmospheric pressure, and solubility is dependent on pressure and temperature.</p> <p>These relationships are developed by concrete activities that involve hands-on manipulation of apparatus, making quantitative measurements, and interpreting data using graphs. It is important to connect characteristics of matter to common experiences so that concepts can be reconstructed. Some relevant questions are, "What happens in a pressure cooker?" "Why does adding oil to boiling rice and pasta keep it from boiling over?" "What is in antifreeze and how does it keep your radiator from freezing?" "Why do bridges have metal expansion joints?"</p> <p>▲ = Recommended Grade 7 Assessed Indicator</p>	

**STANDARD 2: PHYSICAL SCIENCE****GRADES 5-7**

**PHYSICAL SCIENCE – The student will apply process skills to develop an understanding of physical science including: properties, changes of properties of matter, motion and forces, and transfer of energy.**

**Benchmark 2: The student will observe, measure, infer, and classify changes in properties of matter.**

Grades 5-7 Indicators	Instructional Examples
<p>The student...</p> <ol style="list-style-type: none"> <li>1. ▲ understands the relationship of atoms to elements and elements to compounds.</li> <li>2. ▲ measures and graphs the effects of temperature on matter.</li> </ol>	<p>The student...</p> <ol style="list-style-type: none"> <li>1. draws a diagram to show how different compounds are composed of elements in various combinations.</li> <li>2. changes water from solid to liquid to gas using heat. Measures and graphs temperature changes. Observes changes in volume occupied.</li> </ol>
<p><b>TEACHER NOTES:</b>            Substances react chemically in characteristic ways with other substances to form new substances (compounds) with different characteristic properties. Middle level students have the capability of inferring characteristics that are not directly observable and stating their reasons for their inferences. Students need opportunities to form relationships between what they can see and their inferences of characteristics of matter.</p> <p>We cannot always see the products of chemical reactions, so the teacher can provide opportunities for students to measure reactants and products to build the concept of conservation of mass. "Is mass lost when baking soda (solid) and vinegar (liquid) react to produce a gas?" "How could we design an experiment which would (safely) contain the reaction in a closed container in order to measure the materials before and after the reaction?" Students need to engage in activities that lead to these understandings.</p> <p>▲ = Recommended Grade 7 Assessed Indicator</p>	

**STANDARD 2: PHYSICAL SCIENCE**

**GRADES 5-7**

**PHYSICAL SCIENCE – The student will apply process skills to develop an understanding of physical science including: properties, changes of properties of matter, motion and forces, and transfer of energy.**

**Benchmark 3: The student will investigate motion and forces.**

Grades 5-7 Indicators	Instructional Examples
<p>The student...</p> <ol style="list-style-type: none"> <li>1. identifies the forces that act on an object (e.g. gravity and friction).</li> <li>2. ▲ describes, measures, and represents data on a graph showing the motion of an object (position, direction of motion, speed).</li> <li>3. ▲ recognizes and describes examples of Newton’s Laws of Motion.</li> <li>4. investigates how simple machines multiply force at the expense of distance.</li> </ol>	<p>The student...</p> <ol style="list-style-type: none"> <li>1. explores the variables of (wheel and ramp) surfaces that would allow a powered car to overcome the forces of gravity and friction to climb an inclined plane.</li> <li>2.               <ol style="list-style-type: none"> <li>a. follows the path of a toy car down a ramp that is first covered with tile and then with sandpaper.</li> <li>b. traces the force, direction, and speed of a baseball, from leaving the pitcher’s hand and returning back to the pitcher through one of many possible paths.</li> <li>c. rolls a marble down a ramp. Makes adjustments to the board or to the marble’s position in order to hit a target located on the floor. Measures and graphs the results.</li> </ol> </li> <li>3.               <ol style="list-style-type: none"> <li>a. places a small object on a rolling toy vehicle, stops the vehicle abruptly, observes the motion of the small object. Relates to personal experience - stopping rapidly in a car.</li> <li>b. with a ping pong ball and two straws, investigates the effects of the force of air through two straws on the ping-pong ball with the straws at the same side of the ball, on opposite sides, and at other angles. Illustrates results with vectors (force arrows).</li> <li>c. researches safety equipment, such as seat belts and safety helmets, and the role they play related to inertia.</li> </ol> </li> <li>4.               <ol style="list-style-type: none"> <li>a. investigates the load (force) that can be moved as the number of pulleys in a system is increased.</li> <li>b. investigates how bicycle gears work.</li> </ol> </li> </ol>

TEACHER NOTES:

All matter is subjected to forces that affect its position and motion. Relating motions to direction, amount of force, and/or speed allows students to graphically represent data for making comparisons. A moving object that is not being subjected to a net force will continue to move in a straight line at a constant speed. The principle of inertia helps to explain many events such as sports actions, household accidents, and space walks. If more than one force acts upon an object moving along a straight line, the forces may reinforce each other or cancel each other out, depending on their direction and magnitude.

Students experience forces and motions in their daily lives when kicking balls, riding in a car, and walking on ice. Teachers should provide hands-on opportunities for students to experience these physical principles. The forces acting on natural and human-made structures can be analyzed using - computer simulations, physical models, and games such as pool, soccer, bowling, and marbles.

*Weight* – The response of mass to the pull of gravity. Weight is a measure of force. Note: Weight is often confused with mass. Mass is the amount of matter (stuff) an object has and is not dependent on the object's location. Weight is a measure of force and is not constant because the pull of gravity on an object's mass varies with location. An object would weigh more on Earth than on the moon because the moon has lower mass than Earth; the moon's mass would have less gravitational attraction for the object.

▲ = Recommended Grade 7 Assessed Indicator

**STANDARD 2: PHYSICAL SCIENCE**

**GRADES 5-7**

**PHYSICAL SCIENCE – The student will apply process skills to develop an understanding of physical science including: properties, changes of properties of matter, motion and forces, and transfer of energy.**

**Benchmark 4: The student will understand and demonstrate the transfer of energy.**

Grades 5-7 Indicators	Instructional Examples
<p>The student...</p> <ol style="list-style-type: none"> <li>1. ▲ understands that when work is done energy may transform from one form to another, including mechanical, heat, light, sound, electrical, chemical, and nuclear energy, yet is conserved.</li> <li>2. ▲ observes and communicates how light (electromagnetic) energy interacts with matter: transmitted, reflected, refracted, and absorbed.</li> <li>3. ▲ understands that heat energy can be transferred from hot to cold by radiation, convection, and conduction.</li> </ol>	<p>The student...</p> <ol style="list-style-type: none"> <li>1               <ol style="list-style-type: none"> <li>a. sequences the transmission of energy through various real-life systems.</li> <li>b. designs an energy-transfer device using various forms of energy that will accomplish a simple task, such as popping a balloon.</li> <li>c. explores sound waves using a spring.</li> <li>d. draws a chart of energy flow through a telephone from the caller's voice to the listener's ear.</li> </ol> </li> <li>2. classifies classroom objects as to how they interact with light: a window transmits; black paper absorbs; a projector lens refracts; a mirror reflects.</li> <li>3. adds colored warm water to cool water. Observes convection. Measures and graphs temperature over time.</li> </ol>
<p><b>TEACHER NOTES:</b>            Energy forms, such as heat, light, electricity, mechanical (motion), sound, and chemical energy are properties of substances. Energy can be transformed from one form to another. The sun is the ultimate source of energy for life systems, while heat convection currents deep within the Earth are energy sources for gradually shaping the Earth's surface. Energy cycles through physical and living systems. Energy can be measured and predictions can be made based on these measurements.</p> <p>Students can explore light energy using lenses and mirrors, then connect with real-life applications such as cameras, eyeglasses, telescopes, and bar code scanners. Students connect the importance of energy transfer with sources of energy for their homes, such as chemical, nuclear, solar, and mechanical sources. Teachers provide opportunities for students to explore and experience energy forms, energy transfers, and make measurements to describe relationships.</p> <p>▲ = Recommended Grade 7 Assessed Indicator</p>	

**STANDARD 3: LIFE SCIENCE**

**GRADES 5-7**

**LIFE SCIENCE – The student will apply process skills to explore and understand structure and function in living systems, reproduction and heredity, regulation and behavior, populations and ecosystems, and diversity and adaptations of organisms.**

**Benchmark 1: The student will model structures of organisms and relate functions to the structures.**

Grades 5-7 Indicators	Instructional Examples
<p>The student...</p> <ol style="list-style-type: none"> <li>1. ▲ understands that organisms are composed of one or more cells and compares organisms composed of single cells with organisms that are multi-cellular.</li> <li>2. ▲ relates the structure of cells, organs, tissues, organ systems, and whole organisms to their functions and concludes that breakdowns in structure or function may be caused by disease, damage, heredity, or aging.</li> </ol>	<p>The student...</p> <ol style="list-style-type: none"> <li>1. creates and compares two models: the major parts and their functions of a single-cell organism and the major parts and their functions of a multi-cellular organism, e.g. amoeba and hydra.</li> <li>2.               <ol style="list-style-type: none"> <li>a. identifies human body organs and characteristics, then relates their characteristics to function.</li> <li>b. maps human body systems, researches their functions and shows how each supports the health of the human body.</li> <li>c. relates an organism’s structure to how it works.</li> <li>d. compares lung capacity of smokers with that of non-smokers and graphs the results.</li> <li>e. compares and contrasts plant and animal cells.</li> </ol> </li> </ol>
<p><b>TEACHER NOTES:</b>            The cell theory states that organisms are made of cells, cells are the basic unit of life, and cells come from other cells. Living things at all levels of organization demonstrate the complimentary nature of structure and function. Disease is a breakdown in structure or function of an organism. It is useful for middle level students to think of life as being organized from simple to complex, such as a complex organ system includes simpler structures. Understanding the structure and function of a cell can help explain what is happening in more complex systems. Students must also understand how parts relate to the whole, such as each structure is distinct and has a set of functions that serves the whole.</p> <p>Teachers can help students understand this organization of life by comparing and contrasting the levels of organization in both plants and animals. Teachers reinforce understanding of the cellular nature of life by providing opportunities to observe live cultures, such as pond water, creating models of cells, and using the Internet to observe and describe electron micrographs. Early adolescence is an ideal time to investigate the human body systems as an example of relating structure and function of parts to the whole.</p> <p>▲ = Recommended Grade 7 Assessed Indicator</p>	

**STANDARD 3: LIFE SCIENCE**

**GRADES 5-7**

**LIFE SCIENCE – The student will apply process skills to explore and understand structure and function in living systems, reproduction and heredity, regulation and behavior, populations and ecosystems, and diversity and adaptations of organisms.**

**Benchmark 2: The student will understand the role of reproduction and heredity for all living things.**

Grades 5-7 Indicators	Instructional Examples
<p>The student...</p> <ol style="list-style-type: none"> <li>1. ▲ differentiates between asexual and sexual reproduction of organisms.</li> <li>2. ▲ understands how hereditary information of each cell is passed from one generation to the next.</li> <li>3. infers that the characteristics of an organism result from heredity and interactions with the environment.</li> </ol>	<p>The student...</p> <ol style="list-style-type: none"> <li>1               <ol style="list-style-type: none"> <li>a. compares the regeneration of a planarian to the reproduction of an earthworm.</li> <li>b. compares the propagation of new plants from cuttings, which skips a portion of the life cycle, with the process of producing a new plant from fertilization of an ovum.</li> <li>c. observes and communicates the life cycle of an organism.</li> </ol> </li> <li>2               <ol style="list-style-type: none"> <li>a. in a cooperative setting, traces parent characteristics with those of an offspring using Punnett squares.</li> <li>b. uses coin tossing to predict the probability of traits being passed on.</li> </ol> </li> <li>3. chooses an organism; researches its characteristics; infers if these characteristics result from heredity, environment, or both.</li> </ol>
<p><b>TEACHER NOTES:</b>            Reproduction is an activity of all living systems to ensure the continuation of every species. Organisms reproduce sexually and/or asexually. Every organism requires a set of instructions for specifying its traits. Heredity is the passage of these instructions from one generation to another. Students need to clarify misconceptions about reproduction, specifically about the role of the sperm and egg, and the sexual reproduction of flowering plants. In learning about heredity, younger middle level students will focus on observable traits, and older students will gain understanding that genetic material carries coded information.</p> <p>Teachers should provide opportunities for students to observe a variety of organisms and their sexual and asexual methods of reproduction by culturing bacteria, yeast cells, paramecia, hydra, mealworms, guppies, or frogs. Tracing the origin of students' own development back to sperm and egg reinforces how an organism develops from a combination of male and female sex cells. Discussions with students about traits they possess from their father and mother lead to understanding of how an organism receives genetic information from both parents and how new combinations result in the students' unique characteristics.</p> <p>▲ = Recommended Grade 7 Assessed Indicator</p>	

**STANDARD 3: LIFE SCIENCE**

**GRADES 5-7**

**LIFE SCIENCE – The student will apply process skills to explore and understand structure and function in living systems, reproduction and heredity, regulation and behavior, populations and ecosystems, and diversity and adaptations of organisms.**

**Benchmark 3: The student will describe homeostasis, the regulation and balance of internal conditions in response to a changing external environment.**

Grades 5-7 Indicators	Instructional Examples
<p>The student...</p> <p>1. ▲ understands that internal and/or environmental conditions affect an organism’s behavior and/or response in order to maintain and regulate stable internal conditions to survive in a continually changing environment.</p>	<p>The student...</p> <p>1 a. selects a variable to alter the environment (e.g., temperature, light, moisture, gravity) and observes the effects on an organism (e.g., pillbug or earthworm). Thinks of his/her own behaviors and determines environmental conditions that affect behavior.</p> <p>b. observes the response of the body when competing in a running event. (In order to maintain body temperature, various systems begin cooling through such processes as sweating and cooling the blood at the surface of the skin).</p> <p>c. investigates the effects of various stimuli on plants and how they adapt their growth: phototropism, geotropism, and thermotropism are examples.</p>
<p><b>TEACHER NOTES:</b></p> <p>All organisms perform similar processes to maintain life. They take in food and gases, eliminate wastes, grow and progress through their life cycle, reproduce, and maintain stable internal conditions while living in a constantly changing environment. An organism’s behavior changes as its environment changes. Students need opportunities to investigate a variety of organisms to realize that all living things have similar fundamental needs. After observing an organism’s way of moving, obtaining food, and responding to danger, students can alter the environment and observe the effects on the organism.</p> <p>This is an appropriate time to study the human nervous and endocrine systems. Students can compare and contrast how messages are sent through the body and how the body responds. An example is how fright causes changes within the body, preparing it for fighting or fleeing.</p> <p>▲ = Recommended Grade 7 Assessed Indicator</p>	

**STANDARD 3: LIFE SCIENCE**

**GRADES 5-7**

**LIFE SCIENCE – The student will apply process skills to explore and understand structure and function in living systems, reproduction and heredity, regulation and behavior, populations and ecosystems, and diversity and adaptations of organisms.**

**Benchmark 4: The student will identify and relate interactions of populations of organisms within an ecosystem.**

Grades 5-7 Indicators	Instructional Examples
<p>The student...</p> <ol style="list-style-type: none"> <li>1. ▲ recognizes that all populations living together (biotic resources) and the physical factors (abiotic resources) with which they interact compose an ecosystem.</li>   <li>2. ▲ traces the energy flow from the sun (source of radiant energy) to producers (via photosynthesis – chemical energy) to consumers and decomposers in food webs.</li>   <li>3. identifies limiting factors which contribute to the growth, decline, and survival of each species.</li> </ol>	<p>The student...</p> <ol style="list-style-type: none"> <li>1               <ol style="list-style-type: none"> <li>a. creates a classroom terrarium and identifies the interactions between the populations and physical conditions needed for survival.</li>   <li>b. participates in a field study examining the living and non-living parts of a community.</li>   <li>c. changes variables such as wheat crop yield, mice, or a predator, and charts the possible outcomes. (For example, how would a low population of mice affect the population of the predator over time?)</li> </ol> </li>   <li>2               <ol style="list-style-type: none"> <li>a. explores populations at a stream, pond, field, forest floor, and/or rotting log. Identifies the various food webs and observes that organisms in a system are classified by their function.</li>   <li>b. role-plays the interactions and energy flow of organisms in a food web, (e.g., passes a ball of string among a circle of students who represent parts of a food web such as green plants, the sun, insects, etc.). The string connecting students represents the relationships among food web components, resulting in a web-like model.</li>   <li>c. investigates the importance of photosynthesis to all life.</li> </ol> </li> </ol>
<p>TEACHER NOTES:</p>	

A population consists of all individuals of a species that occur together at a given time and place. All populations living together and the physical factors with which they interact compose an ecosystem. Populations can be categorized by the functions they serve in an ecosystem: producers (make their own food), consumers (obtain food by eating other organisms), and decomposers (use waste materials). The major source of energy for ecosystems is sunlight. This energy enters the ecosystem as sunlight and is transformed by producers into food (chemical) energy which then passes from organism to organism, which we observe as food webs. The resources of an ecosystem, biotic and abiotic, determine the number of organisms within a population that can be supported.

Middle level students understand populations and ecosystems best when they have an opportunity to explore them actively. Taking students to a pond or a field, or even having them observe life under a rotting log, allows them to identify and observe interactions between populations and identify the physical conditions needed for their survival. A classroom terrarium, aquarium, or river tank can serve as an excellent model for observing ecosystems and changes and interactions that occur over time between populations of organisms and changes in physical conditions. Constructing their own food webs, given a set of organisms, helps students to see multiple relationships more clearly.

▲ = Recommended Grade 7 Assessed Indicator

**STANDARD 3: LIFE SCIENCE**

**GRADES 5-7**

**LIFE SCIENCE – The student will apply process skills to explore and understand structure and function in living systems, reproduction and heredity, regulation and behavior, populations and ecosystems, and diversity and adaptations of organisms.**

**Benchmark 5: The student will observe the diversity of living things and relate their adaptations to their survival or extinction.**

Grades 5-7 Indicators	Instructional Examples
<p>The student...</p> <ol style="list-style-type: none"> <li>1. concludes that species of animals, plants, and microorganisms may look dissimilar on the outside but have similarities in internal structures, developmental characteristics, chemical processes, and genomes.</li>   <li>2. ▲ understands that adaptations of organisms (changes in structure, function, or behavior that accumulate over successive generations) contribute to biological diversity.</li>   <li>3. ▲ associates extinction of a species with environmental changes and insufficient adaptive characteristics.</li> </ol>	<p>The student...</p> <ol style="list-style-type: none"> <li>1               <ol style="list-style-type: none"> <li>a. researches numerous organisms and creates a classification system based on observations of similarities and differences.</li>   <li>b. uses a field guide and/or a dichotomous key to identify an organism.</li>   <li>c. explores various ways animals take in oxygen and give off carbon dioxide.</li> </ol> </li>   <li>2. compares characteristics of birds such as beaks, wings, and feet, with how a bird behaves in its environment. Then works in a cooperative group to design different parts of an imaginary bird. Relates characteristics and behaviors of that bird with its structures.</li>   <li>4. uses various objects to model bird beaks, such as spoons, toothpicks, clothespins. Uses “beaks” to “eat” several types of food, such as cereal, raisins, noodles. (When “food” sources change, those species that have not adapted die).</li> </ol>
<p><b>TEACHER NOTES:</b>            Millions of species of animals, plants and microorganisms are alive today. Animals and plants vary in body plans and internal structures. The theory of biological evolution is an explanation of how gradual changes of characteristics of organisms over many generations may have resulted in variations among populations and species. Therefore, a structural characteristic, process, or behavior that helps an organism survive in its environment is called an adaptation. When the environment changes and the adaptive characteristics are insufficient, the species becomes extinct.</p> <p>As they investigate different types of organisms, teachers guide students toward thinking about similarities and differences. Students can compare similarities between organisms in different parts of the world, such as tigers in Asia and mountain lions in North America to explore</p>	

the concept of common ancestry. Instruction needs to be designed to uncover and correct misconceptions about natural selection. Students tend to think of all individuals in a population responding to change quickly rather than over a long period of time. Using examples such as Darwin's finches help develop understanding of natural selection over time. Providing students with fossil evidence and allowing them time to construct their own explanations is important in developing middle level students' understanding of extinction as a natural process that has affected Earth's species over time.

▲ = Recommended Grade 7 Assessed Indicator



weathering, erosion, and glacial action.

Students learn about the major Earth systems and their relationships through direct and indirect evidence. First-hand observations of weather, rocks, soil, oceans, and gases lead students to make inferences about some of those major systems. Indirect evidence is used when determining the composition and movement in Earth's mantle and core.

▲ = Recommended Grade 7 Assessed Indicator

**STANDARD 4: EARTH and SPACE SCIENCE**

**GRADES 5-7**

**EARTH and SPACE SCIENCE – The student will apply process skills to explore and develop an understanding of the structure of the Earth system, Earth’s history, and Earth in the solar system.**

**Benchmark 2: The student will understand past and present Earth processes and their similarity.**

Grades 5-7 Indicators	Instructional Examples
<p>The student...</p> <p>1. ▲ understands that Earth processes observed today (including movement of lithospheric plates, constructive and destructive forces, and changes in atmospheric conditions) are similar to those that occurred in the past; Earth history is also influenced by occasional catastrophes, such as the impact of a comet or asteroid.</p>	<p>The student...</p> <p>1 a. constructs models of rock types using food. (Peanut brittle without the peanuts can illustrate a molten material crystallizing to form a solid substance similar to an igneous rock).</p> <p>b. takes a piece of sandstone and applies destructive forces to change it into sand.</p> <p>c. observes the effects of weathering on various rock types.</p>
<p><b>TEACHER NOTES:</b></p> <p>The constructive and destructive forces we see today are similar to those that occurred in the past. Earth’s history is written in the layers of the rocks, and clues in the rocks can be used to piece together a story and picture. Geologic processes that form rocks and mountains today are similar to processes that formed rocks and mountains over a long period of time in the distant past.</p> <p>Teachers can provide opportunities for students to observe and research evidence of changes that can be found in Earth’s crust. Sedimentary rocks, such as limestone, sandstone, and shale show deposition of sediments over time. Volcanic flows of ancient volcanoes and earthquake damage can show us what to expect from modern day catastrophes. Glacial deposits show past ice ages and global warming and cooling. Some fossil beds enable the matching of rocks from different continents, and other fossil beds show how organisms developed over a long period of time. Students will need to apply knowledge of Earth’s past to make decisions relative to Earth’s future.</p> <p>▲ = Recommended Grade 7 Assessed Indicator</p>	

**STANDARD 4: EARTH and SPACE SCIENCE**

**GRADES 5-7**

**EARTH and SPACE SCIENCE – The student will apply process skills to explore and develop an understanding of the structure of the Earth system, Earth’s history, and Earth in the solar system.**

**Benchmark 3: The student will identify and classify stars, planets, and other solar system components.**

Grades 5-7 Indicators	Instructional Examples
<p>The student...</p> <ol style="list-style-type: none"> <li>1. ▲ compares and contrasts the characteristics of stars, planets, moons, comets, and asteroids.</li>   <li>2. models spatial relationships of the earth/moon/planets/sun system to scale.</li>   <li>3. identifies past and present methods used to explore space.</li> </ol>	<p>The student...</p> <ol style="list-style-type: none"> <li>1               <ol style="list-style-type: none"> <li>a. identifies the Sun as a star and compares its characteristics to those of other stars.</li>   <li>b. classifies bright stars visible from Earth by color, temperature, age, apparent brightness, and distance from earth.</li>   <li>c. creates a graphic organizer to visualize comparisons of planets.</li>   <li>d. identifies and classifies characteristics of asteroids and comets.</li> </ol> </li>   <li>2. models the solar system to scale in a long hallway or school yard using rocks for rocky planets and balloons for gaseous planets. Designates a large object as the Sun. Models the Earth/moon/sun system to scale with the question: If Earth were the size of a tennis ball, how big would the Moon be? How big would the Sun be? How far apart would they be?</li>   <li>4. researches ancient observations and explanations of the heavens and compares with today’s knowledge and methods such as, how we learn about phenomena/objects we can’t observe directly, (e.g., spectral analysis to determine the chemistry of stars).</li> </ol>
<p><b>TEACHER NOTES:</b>            The solar system consists of the Sun, which is an average-sized star in the middle of its life cycle, and the nine planets and their moons, asteroids, and comets, which travel in elliptical orbits around the Sun. The Sun, the central and largest body in the system, radiates energy outward. Earth is the third of nine planets in the system, and has one moon. Other stars in our galaxy are visible from Earth, as are distant galaxies, but are so distant they appear as pinpoints of light. Scientists have discovered much about the composition and size of stars, and</p>	

how they move in space. Space and the solar system are of high interest to middle level students. Teachers can help students take advantage of the many print and on-line resources, as well as by becoming amateur sky-watchers.

▲ = Recommended Grade 7 Assessed Indicator

**STANDARD 4: EARTH and SPACE SCIENCE**

**GRADES 5-7**

**EARTH and SPACE SCIENCE – The student will apply process skills to explore and develop an understanding of the structure of the Earth system, Earth’s history, and Earth in the solar system.**

**Benchmark 4: The student will model motions and identify forces that explain Earth phenomena.**

Grades 5-7 Indicators	Instructional Examples
<p>The student...</p> <ol style="list-style-type: none"> <li>1. ▲ demonstrates and models object/space/time relationships that explain phenomena such as the day, the month, the year, seasons, phases of the moon, eclipses and tides.</li> <li>2. understands the effect of the angle of incidence of solar energy striking Earth’s surface on the amount of heat energy absorbed at Earth’s surface.</li> </ol>	<p>The student...</p> <ol style="list-style-type: none"> <li>1               <ol style="list-style-type: none"> <li>a. uses an earth/moon/sun model to demonstrate a day, a month, a year, and the seasons.</li> <li>b. uses students to demonstrate the relative positions of the Sun, Earth, and Moon to create eclipses, phases of the moon, and tides using a circle of students representing the fluid water.</li> </ol> </li> <li>2. places a piece of graph paper on the surface of a globe at the equator. Holds a flashlight 10 cm from the paper perpendicular to the globe, marks the lighted area of the paper, then, places the graph paper at a high latitude. Again holds the flashlight perpendicular to the paper 10 cm from the paper. Compares the areas lit at the equator and at the high latitude, with the same amount of light energy. Identifies where each lighted square of paper receive the most energy.</li> </ol>
<p><b>TEACHER NOTES:</b></p> <p>There are many motions and forces that affect Earth. Most objects in the solar system have regular motions, which can be tracked, measured, analyzed, and predicted. These motions can explain such phenomena as the day, year, seasons, tides, phases of the moon, and eclipses of the Sun and Moon. The force that governs the motions within the solar system, keeps the planets in orbit around the Sun, and the Moon in orbit around the Earth is gravity. Phenomena on Earth’s surface, such as winds, ocean currents, the water cycle, and the growth of plants, receive their energy from the sun.</p> <p>Misconceptions abound among middle level students about concepts such as the cause of the seasons and the reasons for the phases of the moon. Hands-on activities, role-playing, models, and computer simulations are helpful for understanding the relative motion of the planets and moons. Many ideas are misconceptions which could be considered in a series of “what if” questions: What if the sun’s energy did not cause cloud formation and other parts of the water cycle? What if the Earth rotated once a month? What if the Earth’s axis were not tilted?</p> <p>▲ = Recommended Grade 7 Assessed Indicator</p>	

**STANDARD 5: SCIENCE AND TECHNOLOGY**

**GRADES 5-7**

**SCIENCE AND TECHNOLOGY – The student will demonstrate abilities of technological design and understanding about science and technology.**

**Benchmark 1: The student will demonstrate abilities of technological design.**

Grades 5-7 Indicators	Instructional Examples
<p>The student...</p> <p>1. identifies appropriate problems for technological design, designs a solution or product, implements the proposed design, evaluates the product, and communicates the process of technological design.</p>	<p>The student...</p> <p>1 a. designs a measurement instrument (e.g., weather instrument) for a science question that students are investigating.</p> <p>b. selects and researches a current technology, then projects how it might change in the next 20 years.</p> <p>c. designs, creates and evaluates a product that meets a need or solves a problem in a student's life.</p> <p>d. keeps a log of designing (and building) a technology, then uses the log to explain the process.</p>
<p><b>TEACHER NOTES:</b></p> <p>Technological design focuses on meeting human needs, solving human problems or developing a product. Students need to develop abilities to identify specific needs and design solutions for those needs. The tasks of technological design include addressing a range of needs, materials, and aspects of science. Suitable experiences could include designing inventions that meet a need in the student's life.</p> <p>Building a tower of straws is a good start for collaboration and work in design preparation and construction. Students need to develop criteria for evaluating their inventions/products. These questions could help develop criteria: Who will be the users of the product? How will we know if the product meets their needs? Are there any risks to the design? What is the cost? How much time will it take to build? Using their own criteria, students can design several ways of solving a problem and evaluate the best approach. Students could keep a log of their designs and evaluations to communicate the process of technological design. The log might address these questions: What is the function of the device? How does the device work? How did students come up with the idea? What were the sequential steps taken in constructing the design? What problems were encountered?</p> <p>For more information see p. 161-166 of the NSES.</p> <p>▲ = Recommended Grade 7 Assessed Indicator</p>	

**STANDARD 5: SCIENCE AND TECHNOLOGY****GRADES 5-7****SCIENCE AND TECHNOLOGY – The student will demonstrate abilities of technological design and understanding about science and technology.****Benchmark 2: The student will develop understandings of the similarities, differences, and relationships in science and technology.**

Grades 5-7 Indicators	Instructional Examples
<p>The student...</p> <ol style="list-style-type: none"><li>1. compares the work of research scientists with that of applied scientists and technologists.</li><li>2. evaluates benefits, risks, limitations and trade-offs of technological solutions.</li><li>3. identifies contributions to science and technology by many people and many cultures.</li></ol>	<p>The student...</p> <ol style="list-style-type: none"><li>1. reads about a scientist that studies air pressure. (A technologist designs an airplane wing.) Completes a Venn diagram to compare the processes of scientists and technologists.</li><li>2. selects a technology to evaluate using a graphic organizer listing uses, limitations, and possible consequences.</li><li>3. using a map of the world, marks the locations for people and events that have contributed to science.</li></ol>
<p><b>TEACHER NOTES:</b></p> <p>The primary difference between science and technology is that science investigates to answer questions about the natural world and technology creates a product to meet human needs by applying scientific principles. Middle level students are able to evaluate the impact of technologies, recognizing that most have both benefits and risks to society. Science and technology have advanced through contributions of many different people, in different cultures, at different times in history.</p> <p>Students may compare and contrast scientific discoveries with advances in technological design. Students may select a device they use, such as a radio, microwave, or television, and compare it to one their grandparents used.</p>	

**STANDARD 6: SCIENCE IN PERSONAL AND ENVIRONMENTAL PERSPECTIVES**

**GRADES 5-7**

**SCIENCE IN PERSONAL AND ENVIRONMENTAL PERSPECTIVES – The student will apply process skills to explore and develop an understanding of issues of personal health, population, resources and environment, and natural hazards.**

**Benchmark 1: The student will understand scientific knowledge relative to personal health.**

Grades 5-7 Indicators	Instructional Examples
<p>The student...</p> <p>1. ▲ identifies individual nutrition, exercise, and rest needs based on science and uses a scientific approach to thinking critically about personal health, lifestyle choices, risks and benefits.</p>	<p>The student...</p> <p>1</p> <ul style="list-style-type: none"> <li>a. designs, implements, and self-evaluates a personal nutrition and exercise program.</li> <li>b. compares and contrasts immediate benefits of eating junk food to long term benefits of a lifetime of healthy eating.</li> <li>c. evaluates the risks and benefits of foods, medicines, and personal products.</li> <li>d. evaluates and compares the nutritional and toxic properties of various natural and synthetic foods.</li> </ul>
<p><b>TEACHER NOTES:</b></p> <p>Regular exercise, rest, and proper nutrition are important to the maintenance and improvement of human health. Injury and illness are risks to maintaining health. Middle level students need opportunities to apply scientific knowledge to their understanding of personal health and science-based decision-making related to health risks.</p> <p>Teachers should understand that the decision making capacities of 10, 11, 12 and 13 year-old children are not fully developed, are subject to significant interference from hormonal changes, and otherwise lack the experience and maturity of an adult that may be necessary for wise and prudent decisions about their lives. Accordingly, teachers should work to reinforce normative parental and legal expectations designed to optimize their personal health. The challenge to teachers is to show students how science validates legal and normative parental expectations and requirements about health issues such as smoking, use of alcohol, disease, healthy eating, the wearing of seat belts and helmets, and why it is in their best personal interests to comply with these healthy expectations and requirements.</p> <p>▲ = Recommended Grade 7 Assessed Indicator</p>	

**STANDARD 6: SCIENCE IN PERSONAL AND ENVIRONMENTAL PERSPECTIVES**

**GRADES 5-7**

**SCIENCE IN PERSONAL AND ENVIRONMENTAL PERSPECTIVES – The student will apply process skills to explore and develop an understanding of issues of personal health, population, resources and environment, and natural hazards.**

**Benchmark 2: The student will understand the impact of human activity on resources and environment.**

Grades 5-7 Indicators	Instructional Examples
<p>The student...</p> <p>1. ▲ investigates the effects of human activities on the environment and bases decisions on knowledge of benefits and risks.</p>	<p>The student...</p> <p>1 a. counts the number of cars that pass the school during a period of time. Investigates the effects of traffic volume on environmental quality (e.g., water and air quality, plant health).</p> <p>b. investigates the effects of repeatedly walking off the sidewalks. Discusses the implications for the environment.</p> <p>c. participates in an environmental study, such as stream monitoring.</p> <p>d. evaluates the benefits of burning fossil fuels to meet energy needs against the risks of increased air pollution, etc.</p>
<p><b>TEACHER NOTES:</b></p> <p>When an area becomes overpopulated by a species, the environment will change due to the increased use of resources. Middle level students need opportunities to learn about concepts of carrying capacity. They need to gather evidence and analyze effects of human interactions with the environment.</p> <p>Teachers can help their students understand these global issues by starting locally. “What changes in the atmosphere are caused by all the cars we use in our community?” Ground level ozone indicators provide an opportunity to quantify the effect. “After a heavy rain, where does the water go that runs off your lawn?” “What happens to that water source if your lawn was fertilized just before the rain?” The role of the teacher is to help students apply scientific understanding, gained through their own investigations, of environmental issues. Teachers should help students base environmental decisions on understanding, not emotion.</p> <p>▲ = Recommended Grade 7 Assessed Indicator</p>	

**STANDARD 6: SCIENCE IN PERSONAL AND ENVIRONMENTAL PERSPECTIVES**

**GRADES 5-7**

**SCIENCE IN PERSONAL AND ENVIRONMENTAL PERSPECTIVES – The student will apply process skills to explore and develop an understanding of issues of personal health, population, resources and environment, and natural hazards.**

**Benchmark 3: The student will understand that natural hazards are dynamic examples of earth processes which cause us to evaluate risks.**

Grades 5-7 Indicators	Instructional Examples
<p>The student...</p> <ol style="list-style-type: none"> <li>1. recognizes patterns of natural processes that may cause natural hazards and human activities that may contribute to natural hazards.</li> <li>2. evaluates the risks involved with a natural hazard and identify appropriate actions in response to a natural hazard.</li> </ol>	<p>The student...</p> <ol style="list-style-type: none"> <li>1 sees how channeling a stream may promote flooding downstream. Could use a county conservation commission’s stream trailer to investigate the dynamics of a stream and the effects of human interaction with the stream.</li> <li>2.               <ol style="list-style-type: none"> <li>a. finds news articles that show inadvisable risks taken in a natural hazard situation.</li> <li>b. investigates appropriate safety procedures for dealing with various natural hazards (e.g., tornados, floods, lightning, etc.)</li> </ol> </li> </ol>
<p><b>TEACHER NOTES:</b>            California has earthquakes. Florida has hurricanes. Kansas has tornadoes. Natural hazards can also be caused by human interaction with the environment, such as channeling a stream. Middle level students need opportunities to identify the causes and human risks and challenges of natural hazards.</p> <p>Teachers can help students use data on frequency of occurrence of natural hazard events both to dispel unnatural fears for some students and overcome the common middle level student misconception of invincibility (it won’t happen to me). “What would you need in a tornado survival kit to keep in the basement for your family?” This question would cause students to assess the kinds of damage caused by a tornado (need a flashlight because electrical lines may be down) and the kinds of support services available in the community.</p>	

**STANDARD 7: HISTORY AND NATURE OF SCIENCE**

**GRADES 5-7**

**HISTORY AND NATURE OF SCIENCE – The student will examine and develop an understanding of science as a historical human endeavor.**

**Benchmark 1: The student will develop scientific habits of mind.**

Grades 5-7 Indicators	Instructional Examples
<p>The student...</p> <ol style="list-style-type: none"> <li>1. practices intellectual honesty, demonstrates skepticism appropriately, displays open-mindedness to new ideas, and bases decisions on evidence.</li> </ol>	<p>The student...</p> <ol style="list-style-type: none"> <li>1               <ol style="list-style-type: none"> <li>a. analyzes news articles to determine whether data/statistics presented adequately and objectively support conclusions that are made.</li> <li>b. analyzes data and recognizes that a hypothesis not supported by data should be perceived as neither a right or wrong answer.</li> <li>c. attempts to replicate an investigation to support or refute a conclusion.</li> <li>d. shares interpretations that differ from currently held explanations on topics such as global warming and dietary claims. Evaluates the validity of results and accuracy of stated conclusions.</li> <li>e. reviews results of individual, group, or peer investigations to assess the accuracy of conclusions based upon data collection and analysis and use of evidence to reach a conclusion.</li> </ol> </li> </ol>
<p><b>TEACHER NOTES:</b>            Science requires varied abilities depending on the field of study, type of inquiry, and cultural context. The abilities characteristic of those engaged in scientific investigations include: reasoning, intellectual honesty, tolerance of ambiguity, appropriate skepticism, open-mindedness, and the ability to make logical conclusions based on current evidence.</p> <p>Teachers can support the development of scientific habits of mind by providing students with on-going instruction using inquiry as a framework. Students can apply science concepts in investigations. They can work individually and on teams while conducting inquiry. They can share their work through varied media, and they can self-evaluate their learning. High expectations for accuracy, reliability, and openness to differing opinions should be exercised.</p>	

**STANDARD 7: HISTORY AND NATURE OF SCIENCE**

**GRADES 5-7**

**HISTORY AND NATURE OF SCIENCE – The student will examine and develop an understanding of science as a historical human endeavor.**

**Benchmark 2: The student will research contributions to science throughout history.**

Grades 5-7 Indicators	Instructional Examples
<p>The student...</p> <p>1. ▲ recognizes that new knowledge leads to new questions and new discoveries, replicates historic experiments to understand principles of science, and relates contributions of men and women to the fields of science.</p>	<p>The student...</p> <p>1 a. discusses discoveries that replaced previously held knowledge, such as safety of Freon or saccharine use, knowledge concerning the transmission of AIDS, cloning, or Pluto’s status as a planet.</p> <p>b. rediscovers principles of electromagnetism by replicating Oersted’s compass needle experiment. The compass needle deflects perpendicular to current carrying wire.</p> <p>c. researches the contributions of men and women of science and creates a timeline to demonstrate the ongoing contributions of dedicated scientists across ethnic, religious, and gender lines.</p>
<p><b>TEACHER NOTES:</b></p> <p>Scientific knowledge is not static. New knowledge leads to new questions and new discoveries that may be beneficial or harmful. Contributions to scientific knowledge can be met with resistance, causing a need for replication and open sharing of ideas. Scientific contributions have been made over an expanse of time by individuals from varied cultures, ethnic backgrounds, and across gender and economic boundaries.</p> <p>Students should engage in research realizing that the process may be a small portion of a larger process or of an event that takes place over a broad historical context. Teachers should focus on the contributions of scientists and how the culture of the time influenced their work. Reading biographies, interviews with scientists, and analyzing vignettes are strategies for understanding the role of scientists and the contributions of science throughout history.</p> <p>▲ = Recommended Grade 7 Assessed Indicator</p>	

**STANDARD 1: SCIENCE AS INQUIRY**

**GRADES 8-12**

**SCIENCE AS INQUIRY – The student will develop the abilities necessary to do scientific inquiry and develop an understanding of scientific inquiry.**

**Benchmark 1: The student will demonstrate the abilities necessary to do scientific inquiry.**

Grades 8-12 Indicators	Additional Specificity
<p>The student...</p> <ol style="list-style-type: none"> <li>1. develops and evaluates research questions.</li> <li>2. ▲ designs investigations, including developing questions, gathering and analyzing data, and designing and conducting research.</li> <li>3. ▲ correctly uses the appropriate technological tools and mathematics in their own scientific investigations.</li> <li>4. ▲ actively engages in conducting an inquiry, formulating and revising his or her scientific explanations and models (physical, conceptual, or mathematical) using logic and evidence, and recognizing that potential alternative explanations and models</li> </ol>	<ol style="list-style-type: none"> <li>2. The scientific investigations include, when appropriate,               <ol style="list-style-type: none"> <li>a. formulating a testable hypothesis.</li> <li>b. utilizing variables, such as independent, dependent, and controls.</li> <li>c. using methods for gathering data that is observable, measurable, and replicable.</li> <li>d. analyzing and evaluating the results in order to clarify the questions and hypotheses, and to refine methods for further research.</li> </ol> </li> <li>3.               <ol style="list-style-type: none"> <li>a. Use a variety of technologies, such as hand tools, measuring instruments, calculators, and computers as an integral component of scientific investigations.</li> <li>b. Use common mathematical functions (linear, exponential, etc.) to analyze and describe data.</li> <li>c. Use statistical and graphing data analysis techniques.</li> <li>d. Recognize that the accuracy and precision of the data, and therefore the quality of the investigation, depends on the instruments used.</li> <li>e. Use equipment properly and safely.</li> </ol> </li> <li>4.               <ol style="list-style-type: none"> <li>a. Engage in discussions that result in the revision of his/her explanation.</li> <li>b. Analyze student explanation by reviewing current scientific</li> </ol> </li> </ol>

<p>should be considered.</p> <p>5. communicates (reports) and defends the design, results, and conclusion of his/her investigation.</p> <p>6. understands methods used to test hypotheses about the cause of a remote past event (historical hypothesis) that cannot be confirmed by experiment and/or direct observation by formulating competing hypotheses and then collecting the kinds of data (evidence) that would support one and refute the other</p>	<p>understanding, weighing the evidence, and examining the logic so as to decide which explanations and models have the greatest explanatory power.</p> <p>c. Evaluate preconceptions and biases with respect to his/her conclusions.</p> <p>d. Consider modifications to student investigations based on their results.</p> <p>5. a. Write procedures, express concepts, review information, summarize data, and use language appropriately.</p> <p>b. Develop diagrams and charts to summarize and analyze data.</p> <p>c. Present information clearly and logically, both orally and in writing.</p> <p>d. Construct reasoned arguments.</p> <p>e. Respond appropriately to critical comments.</p> <p>6. a. Formulate multiple hypotheses about a singular historical event and develops a "best current explanation" of what caused the event, such as the cause of a fire or death.</p> <p>b. Predict the kinds of circumstantial evidence that one would observe under each hypothesis.</p> <p>c. Collect evidence and draw an inference as to the best explanation and whether the evidence fits either hypothesis. Explains why either explanation cannot be entirely validated by a laboratory experiment.</p>
<p>Teacher Notes: Students actively involved in asking and answering their own questions, can connect the science they are learning in the classroom with real-world applications.</p> <p>▲ = Recommended Sr. High Assessed Indicator</p>	

**STANDARD 2A: CHEMISTRY****GRADES 8-12****CHEMISTRY – The student will develop an understanding of the structure of atoms, compounds, chemical reactions, and the interactions of energy and matter.****Benchmark 1: The student will understand the structure of the atom.**

Grades 8-12 Indicators	Additional Specificity
<p>The student ...</p> <ol style="list-style-type: none"><li>1. ▲ understands atoms, the fundamental organizational unit of matter, are composed of subatomic particles, organized in a small, dense, positively charged nucleus (containing protons and neutrons which determines the atomic mass) and surrounded by a negatively charged electron cloud (containing electrons, which determines the size of the atom).</li><li>2. understands isotopes are atoms with the same atomic number (same number of protons) but different numbers of neutrons. The nuclei of some atoms are radioactive isotopes that spontaneously decay, releasing radioactive energy.</li></ol>	<ol style="list-style-type: none"><li>1. These concepts may be used to predict chemical and physical properties of matter.</li></ol>
<p>Teacher Notes: These concepts are basic to physics, chemistry, biology, Earth/space science.</p> <p>▲ = Recommended Sr. High Assessed Indicator</p>	

**STANDARD 2A: CHEMISTRY**

**GRADES 8-12**

**CHEMISTRY – The student will develop an understanding of the structure of atoms, compounds, chemical reactions, and the interactions of energy and matter.**

**Benchmark 2: The student will understand the states and properties of matter.**

Grades 8-12 Indicators	Additional Specificity
<p>The student ...</p> <ol style="list-style-type: none"> <li>1. understands chemists use kinetic and potential energy to explain the physical and chemical properties of matter on earth. Matter may exist in any of these three states: solids, liquids, and gases.</li> <li>2. ▲ understands the periodic table lists elements according to increasing atomic number. This table organizes physical and chemical trends by groups, periods, and categories.</li> <li>3. ▲ understands chemical bonds result when valence electrons are transferred or shared between atoms. Ionic compounds result from atoms transferring electrons. Molecular compounds result from atoms sharing electrons.</li> </ol>	<ol style="list-style-type: none"> <li>1.               <ol style="list-style-type: none"> <li>a. Elements and molecules may exist as gases, liquids or solids; ionic compounds most commonly exist as solids.</li> <li>b. Intermolecular attraction (attraction between molecules) determines the state of the molecule. Gases have the weakest and solids have the greatest intermolecular attraction. The hydrogen bond is an intermolecular attraction responsible for the properties of water and many biological molecules.</li> </ol> </li> <li>2. Elements in the same group share similar chemical properties because they have the same number of valence electrons. Periods indicate the energy level of the outermost (<i>valence</i>) electrons. Some categories are regions such as metals, non-metals, and transition elements.</li> <li>3.               <ol style="list-style-type: none"> <li>a. Valence electrons (those farthest from the nucleus or highest energy electrons) determine the chemistry of the atom.</li> <li>b. Ionic compounds are composed of positively charged ions called cations and negatively charged ions called anions. Most cations are metals; most anions are nonmetals.</li> <li>c. Molecules result when two or more nonmetals form covalent bonds by sharing one or more pairs of electrons.</li> <li>d. Carbon atoms can bond to each other in chains, rings, and branching networks to form a variety of molecular structures including relatively large molecules essential to life.</li> </ol> </li> </ol>
<p>Teacher Notes:</p>	

▲ = Recommended Sr. High Assessed Indicator

**STANDARD 2A: CHEMISTRY****GRADES 8-12****CHEMISTRY – The student will develop an understanding of the structure of atoms, compounds, chemical reactions, and the interactions of energy and matter.****Benchmark 3: The student will gain a basic concept of chemical reactions.**

Grades 8-12 Indicators	Additional Specificity
<p>The student ...</p> <ol style="list-style-type: none"><li>1. ▲ understands a chemical reaction occurs when one or more substances (reactants) react to form a different chemical substance(s) (products).</li><li>2. understands there are different types of chemical reactions all of which demonstrate the Law of Conservation of Mass (e.g., synthesis, decomposition, combustion, single and double replacement, acid/base, and oxidation/reduction).</li></ol>	<ol style="list-style-type: none"><li>1. Chemical reactions are written as chemical equations, which demonstrate the Law of Conservation of Mass through stoichiometric relationships.</li><li>2. <ol style="list-style-type: none"><li>a. Two or more of the following may often identify chemical reactions: physical property change, effervescence, mass change, precipitation, light emission, and heat exchange.</li><li>b. Heat exchange during a chemical reaction is often easily noticed: a reaction that absorbs heat will feel colder; a reaction that releases heat will feel warmer.</li><li>c. The tendency of nature to occupy the greatest number of different states, called entropy, is ultimately the driving force behind chemical reactions.</li><li>d. The rate (speed) of a chemical reaction depends on such parameters as temperature, concentration, catalysts, and reaction type.</li></ol></li></ol>
<p>Teacher Notes:</p> <p>▲ = Recommended Sr. High Assessed Indicator</p>	



	c. Angular momentum is conserved when there are no external torques on the system.
--	--

Teacher Notes:

▲ = Recommended Sr. High Assessed Indicator

**STANDARD 2B: PHYSICS**

**GRADES 8-12**

**PHYSICS – The student will develop an understanding of the structure of atoms, compounds, chemical reactions, and the interactions of energy and matter.**

**Benchmark 2: The student will understand the conservation of mass and energy, and the First and Second Laws of Thermodynamics.**

Grade 8-12 Indicators	Additional Specificity
<p>The student ...</p> <ol style="list-style-type: none"> <li>1. understands matter has energy. Mass and energy can be interchanged. The total energy in the universe is constant, but the type of energy may vary.</li>   <li>2. ▲ understands the first law of thermodynamics states the total internal energy of a substance (the sum of all the kinetic and potential energies of its constituent molecules) will change only if heat is exchanged with the environment or work is done on or by the substance. In any physical interaction, the total energy in the universe is conserved.</li> </ol>	<ol style="list-style-type: none"> <li>1.               <ol style="list-style-type: none"> <li>a. The amount of energy in a given amount of mass at rest is given by <math>E = mc^2</math>.</li>   <li>b. The amount of energy that would be required to completely dissociate a nucleus into its constituent protons and neutrons, divided by the number of protons and neutrons, is known as the “binding energy per nucleon” of the nucleus.</li>   <li>c. Two light nuclei that merge into a larger nucleus emit energy. This is known as fusion.</li>   <li>d. A massive nucleus that splits apart into two medium mass nuclei emits energy. This is known as fission.</li> </ol> </li>   <li>2.               <ol style="list-style-type: none"> <li>a. There are different manifestations of energy. Kinetic energy is the energy an object possesses due to its motion. Gravitational potential energy is the energy due to the separation of masses. Electric potential energy is the energy due to the separation of charges. Kinetic and potential energy combined are known as mechanical energy.</li>   <li>b. Heat is an exchange of internal (kinetic and/or potential) energy between systems due to a temperature difference. Examples of heat transport include radiation from the sun, convection of hydrosphere/atmosphere/mantle, and conduction between water/land/air.</li>   <li>c. A force that has a component parallel to the direction of motion of an object is said to do work on that object. The work done on an object may be positive or negative. When positive work is done on an object, it increases the object’s energy. Negative work decreases it.</li> </ol> </li> </ol>

<p>3. understands the Second Law of Thermodynamics states the entropy of a system isolated from transfer of matter and/or energy will not decrease.</p>	<p>d. There is a relationship between energy and power. Power is the rate at which work is done, or the rate at which the energy of some system changes.</p> <p>3. a. Entropy is a state function that describes a system. In some cases, it can be thought of as a measure of disorder.</p> <p>b. A system will not spontaneously undergo a process that decreases its entropy. Heat flows spontaneously from hot objects to cooler ones. It does not flow spontaneously in the other direction. Heat can be made to flow from cooler objects to warmer ones if one does work. A heat engine can convert heat to work, but some heat will always be lost in the process.</p>
<p>Teacher Notes:</p> <p>▲ = Recommended Sr. High Assessed Indicator</p>	

**STANDARD 2B: PHYSICS**

**GRADES 8-12**

**PHYSICS – The student will develop an understanding of the structure of atoms, compounds, chemical reactions, and the interactions of energy and matter.**

**Benchmark 3: The student will understand the nature of the fundamental interactions of matter and energy.**

Grade 8-12 Indicators	Additional Specificity
<p>The student ...</p> <p>1. there are four fundamental forces in nature: strong nuclear force, weak nuclear force, electromagnetic force, and gravitational force.</p> <p>2. ▲ understands waves have energy and can transfer energy when they interact with matter.</p>	<p>1. a. The strong nuclear force keeps particles together in atomic nuclei.</p> <p>b. The weak nuclear force plays a role in the radioactive disintegration of certain nuclei.</p> <p>c. The strong and weak nuclear forces act on quarks and leptons, subatomic particles.</p> <p>d. The electromagnetic force is the force that charged particles exert on one another. The electric force between any two charged particles is given by Coulomb’s law, which states that the force is inversely proportional to the square of the distance between the charges. The magnetic force occurs between any two charged particles moving relative to each other.</p> <p>e. The gravitational force is the attractive force that objects exert on one another due to their mass. The gravitational force between any two masses is given by Newton’s law of universal gravitation, which states that the force is inversely proportional to the square of the distance between the masses. Near the surface of the Earth, the acceleration of an object due to gravity is independent of the mass of the object and therefore constant.</p> <p>2. a. Waves are traveling disturbances which transport energy without the bulk motion of matter. In transverse waves, the disturbance is perpendicular to the direction of travel. In longitudinal waves, the disturbance is parallel to the direction of travel.</p> <p>b. There are many different types of waves. Examples are water waves, sound waves, and electromagnetic waves. Visible light, radio waves, and X-rays are all examples of electromagnetic waves. Periodic waves can also be described in terms of their wavelength, frequency, period, and amplitude.</p> <p>c. All waves can be described in terms of their velocities. The velocity of most types</p>

<p>3. ▲ understands electromagnetic waves result when a charged particle is accelerated or decelerated.</p>	<p>of waves depends on the medium in which they are traveling. There is a relationship between the speed, wavelength, and frequency of a periodic wave. The frequency of sound waves is related to the pitch we perceive. Different wavelengths of visible light correspond to different colors.</p> <p>d. Most common types of waves obey the principle of linear superposition. When two waves meet, they superimpose. At points where the crests (or troughs) of two waves meet there is constructive interference. At points where the crest of one wave meets the trough of another, there is destructive interference. Beats are heard when two sound waves with slightly different frequencies interfere. Two waves traveling in opposite directions can combine to produce a standing wave.</p> <p>e. Diffraction is the bending of a wave around an obstacle or an edge. When this happens, different intensities of the wave are observed downstream due to the wave interfering with itself.</p> <p>f. When light reflects from a surface, the angle of incidence is equal to the angle of reflection. When light propagates from one transparent medium to another, it bends (refracts) at the interface in a manner given by Snell's law. One can trace rays to predict the properties of images produced by mirrors. One can trace rays to predict the properties of images produced by lenses.</p> <p>3. a. Electromagnetic waves include radio waves, microwaves, infrared radiation, visible light, ultraviolet radiation, X-rays, and gamma rays. The energy of electromagnetic waves is carried in packets and has a magnitude that is inversely proportional to the wavelength.</p> <p>b. Some particles, such as protons and electrons, have a physical property known as charge. There are two types of charge, known as positive and negative.</p> <p>c. Charged particles experience a force given by Coulomb's law. Coulomb's law indicates that the electric force between two charges is attractive if the charges have opposite sign, and repulsive if they have the same sign. The force between charges is inversely proportional to the square of the distance between them.</p> <p>d. The magnitude of the magnetic force on a particle in a magnetic field is proportional to the particle's charge and speed, and to the magnitude of the magnetic field. The direction of the force is perpendicular to both the particle's velocity and the magnetic field. If the particle's velocity is parallel to the magnetic field, the force vanishes.</p> <p>e. There is a potential energy associated with the electric force. This is most</p>
---	--

	<p>commonly dealt with in the related quantity electric potential. The electric potential energy of a particle is its charge times the electric potential at the particle's location.</p> <p>f. Knowledge of electric force and potential allows for the analysis of simple DC circuits. Batteries increase the electric potential energy of electrons. Although it is electrons that flow in a circuit, we analyze circuits as if positive charges are flowing in the other direction. Current is the rate at which charges are flowing in a circuit. The electric potential in a conductor has the same value everywhere in that conductor. Positive charges flowing through a resistor experience a drop in electric potential given by Ohm's law. Charges flowing through a resistor lose energy at a rate that depends on the current and on the resistance of the resistor. The resistance of resistors in series or in parallel can be computed, given the resistances of each individual resistor.</p>
<p>Teacher Notes:</p> <p>▲ = Recommended Sr. High Assessed Indicator</p>	

**STANDARD 3: LIFE SCIENCE**

**GRADES 8-12**

**LIFE SCIENCE – The student will develop an understanding of the cell, molecular basis of heredity, biological evolution, interdependence of organisms, matter, energy, and organization in living systems, and the behavior of organisms.**

**Benchmark 1: The student will demonstrate an understanding of the structure and function of the cell.**

Grades 8-12 Indicators	Additional Specificity
<p>The student ...</p> <p>1. understands cells are composed of a variety of specialized structures that carry out specific functions.</p> <p>2. ▲ understands cell functions involve specific chemical reactions.</p> <p>3. understands cells function and replicate as a result of information stored in deoxyribonucleic acid (DNA) and ribonucleic acid (RNA) molecules.</p> <p>4. understands some plant cells contain chloroplasts, which are the sites of photosynthesis.</p> <p>5. understands cells can differentiate, thereby enabling complex multicellular organisms to form.</p>	<p>1. a. Each cell is surrounded by a membrane that controls the flow of materials into and out of the cell.</p> <p>b. Proteins embedded in the membranes help carry out specific life processes such as transport and recognition.</p> <p>c. In eukaryotes, similar membranes compartmentalize various chemical environments of the cell into organelles such as the nucleus and mitochondria.</p> <p>d. Organelles carry out specific life functions for the cell such as protein synthesis, protein processing and packaging, energy transformation, communication, etc...</p> <p>2. a. Food molecules taken into cells provide the chemicals needed to synthesize other molecules.</p> <p>b. Enzymes catalyze both breakdown and synthesis in the cell.</p> <p>3. a. Gene expression regulates cell functions through the synthesis of proteins.</p> <p>b. This regulation allows cells to respond to their environment and to control and coordinate cell division.</p> <p>4. The process of photosynthesis provides a vital connection between the sun and the energy needs of living systems.</p> <p>5. a. In the development of most multicellular organisms, a fertilized cell forms an embryo that differentiates into an adult.</p> <p>b. Differentiation is regulated through expression of different genes.</p>

	c. Differentiation leads to the formation of specialized cells, tissues, and organs which have different functions.
--	---

Teacher Notes:

The life science standards provide a framework for a variety of courses in the life sciences. All of the indicators listed for this benchmark would be appropriate for inclusion in a high school biology course. The study of microbiology (as a separate course, or within a biology course) would focus on unicellular organisms and viruses, and would generally not include indicators four and five. Even courses that focus on animals, such as such as zoology, might include indicator four, since photosynthesis provides the energy that drives most food chains. Local curriculum is based on the concepts of the Standards, but is more specific.

▲ = Recommended Sr. High Assessed Indicator

**STANDARD 3: LIFE SCIENCE**

**GRADES 8-12**

**LIFE SCIENCE – The student will develop an understanding of the cell, molecular basis of heredity, biological evolution, interdependence of organisms, matter, energy, and organization in living systems, and the behavior of organisms.**

**Benchmark 2: The student will demonstrate an understanding of chromosomes, genes, and the molecular basis of heredity.**

Grades 8-12 Indicators	Additional Specificity
<p>The student ...</p> <ol style="list-style-type: none"> <li>1. ▲ understands living organisms contain DNA or RNA as their genetic material, which provides the instructions that specify the characteristics of organisms.</li>   <li>2. understands organisms usually have a characteristic number of chromosomes; one pair of these may determine the sex of individuals.</li>   <li>3. ▲ understands hereditary information is contained in genes, located in the chromosomes of each cell.</li> </ol>	<ol style="list-style-type: none"> <li>1.               <ol style="list-style-type: none"> <li>a. Nucleotides (adenine, thymine, guanine, cytosine and uracil) make up DNA and RNA molecules.</li> <li>b. Sequences of nucleotides that either determine or contribute to a genetic trait are called genes.</li> <li>c. The sequence of the nucleotide bases within genes is not dictated by any known chemical or physical law.</li> <li>d. DNA is replicated by using a template process that usually results in identical copies.</li> <li>e. DNA and associated proteins supercoil during cellular replication to become structured as chromosomes.</li> </ol> </li>   <li>2. Most cells in humans contain 23 pairs of chromosomes; the 23rd pair usually contains the XX for female or XY for male.</li>   <li>3.               <ol style="list-style-type: none"> <li>a. An inherited trait of an individual can be determined by one gene or by many genes (a polygenic trait), and a single gene can influence more than one trait.</li> <li>b. The expression of traits is determined by a complex interaction of genes and the environment.</li> <li>c. Alleles, which are different forms of a gene, may be dominant, recessive, or co-dominant.</li> </ol> </li> </ol>

<p>4. understands gametes carry the genetic information to the next generation.</p> <p>5. understands expressed mutations occur in DNA at very low rates.</p>	<p>4. a. Gametes usually contain only one member from each chromosome pair.</p> <p>b. Gametes unite to form a new individual in most organisms.</p> <p>5. a. Mutations are typically harmful, but they can be neutral or beneficial.</p> <p>b. Only mutations in gametes can be passed on to offspring and thus affect future generations.</p> <p>c. Mutations in somatic cells can affect the individual organism, but not its offspring.</p>
<p>Teacher Notes:</p> <p>The life science standards provide a framework for a variety of courses in the life sciences. All of the indicators listed for this standard would be appropriate for inclusion in a high school biology course, and may be included in a botany course. The indicators provide a basis for developing local curriculum for a course focusing on genetics.</p> <p>▲ = Recommended Sr. High Assessed Indicator</p>	

**STANDARD 3: LIFE SCIENCE**

**GRADES 8-12**

**LIFE SCIENCE – The student will develop an understanding of the cell, molecular basis of heredity, biological evolution, interdependence of organisms, matter, energy, and organization in living systems, and the behavior of organisms.**

**Benchmark 3: The student will understand the major concepts of the theory of biological evolution.**

Grades 8-12 Indicators	Additional Specificity
<p>The student ...</p> <p>1 understands biological evolution, descent with modification, is a scientific explanation for the history of the diversification of organisms from common ancestors.</p>	<p>1. a. Biological evolution postulates an unguided natural process that has no discernable direction or goal.</p> <p>b. The presence of the same materials and processes of heredity (DNA, replication, transcription, translation, etc.) is used as evidence for the common ancestry of modern organisms.</p> <p>c. Patterns of diversification and extinction of organisms are documented in the fossil record. Evidence also indicates that simple, bacteria-like life may have existed billions of years ago. However, in many cases the fossil record is not consistent with gradual, unbroken sequences postulated by biological evolution.</p> <p>d. The distribution of fossil and modern organisms is related to geological and ecological changes (i.e. plate tectonics, migration). There are observable similarities and differences among fossils and living organisms.</p> <p>e. The frequency of heritable traits may change over a period of generations within a population of organisms, usually when resource availability and environmental conditions change as a consequence of extinctions, geologic events, and/or changes in climate.</p> <p>f. The view that living things in all the major kingdoms are modified descendants of a common ancestor (described in the pattern of a branching tree) has been challenged in recent years by:</p> <ul style="list-style-type: none"><li>i. Discrepancies in the molecular evidence (e.g., differences in relatedness inferred from sequence studies of different proteins) previously thought to support that view.</li><li>ii. A fossil record that shows sudden bursts of increased complexity</li></ul>

<p>2. understands populations of organisms may adapt to environmental challenges and changes as a result of natural selection, genetic drift, and various mechanisms of genetic change.</p> <p>3. understands biological evolution is used to explain the earth's present day biodiversity: the number, variety and variability of organisms.</p> <p>4. ▲ understands organisms vary widely within and between populations. Variation allows for natural selection to occur.</p>	<p>(the Cambrian Explosion), long periods of stasis and the absence of abundant transitional forms rather than steady gradual increases in complexity, and</p> <p>iii. Studies that show animals follow different rather than identical early stages of embryological development.</p> <p>2. a. Genetic changes occur only in individual organisms. New heritable traits may result from new combinations of genes and from random mutations or changes in the reproductive cells. Except in very rare cases, mutations that may be inherited are neutral, deleterious or fatal.</p> <p>b. Natural selection and genetic drift occur within populations or organisms.</p> <p>c. Variation among individuals in a population allows individuals to respond differently to environmental challenges.</p> <p>3. a. Separate populations within a species may become sufficiently different enough that new species develop. This process is called speciation.</p> <p>b. Changes in inherited traits accumulate in populations.</p> <p>c. Historically only a small percentage of species have survived to modern times.</p> <p>d. Whether microevolution (change within a species) can be extrapolated to explain macroevolutionary changes (such as new complex organs or body plans and new biochemical systems which appear irreducibly complex) is controversial. These kinds of macroevolutionary explanations generally are not based on direct observations and often reflect historical narratives based on inferences from indirect or circumstantial evidence.</p> <p>4. a. Heritable variation exists in every species.</p> <p>b. New heritable traits result from new combinations of genes and from mutations or changes in the reproductive cells.</p> <p>c. Variation of organisms within and among species increases the likelihood that some members will survive under changing environmental conditions.</p>
--	---

<p>5. understands that the primary mechanism of evolutionary change (acting on variation) is natural selection.</p> <p>6. understands biological evolution is used as a broad, unifying theoretical framework for biology.</p> <p>7. explains proposed scientific explanations of the origin of life as well as scientific criticisms of those explanations.</p>	<p>d. Times, populations, or entire lineages become extinct. One effect of this is to increase the differences between the surviving lineages.</p> <p>5. a. Favorable heritable traits are more advantageous to reproduction and/or survival than others.</p> <p>b. There is a finite supply of resources available for offspring; therefore, not all survive.</p> <p>c. Individuals with beneficial traits generally survive to reproduce in greater numbers.</p> <p>d. Favorable heritable traits tend to increase in the population through time if the selective pressure is maintained.</p> <p>6. a. Organisms are classified according to the rules of nomenclature, and are given scientific names.</p> <p>b. The behavioral, physical, and genetic characteristics upon which these classifications are based are used as evidence for common descent.</p> <p>c. Natural selection, genetic drift, genomes, and the mechanisms of genetic change provide a context in which to ask research questions and help explain observed changes in populations. However, reverse engineering and end-directed thinking are used to understand the function of bio-systems and information.</p> <p>7. Some of the scientific criticisms include:</p> <p>a. A lack of empirical evidence for a “primordial soup” or a chemically hospitable pre-biotic atmosphere;</p> <p>b. The lack of adequate natural explanations for the genetic code, the sequences of genetic information necessary to specify life, the biochemical machinery needed to translate genetic information into functional biosystems, and the formation of proto-cells; and</p> <p>c. The sudden rather than gradual emergence of organisms near the time that the Earth first became habitable.</p>
<p>Teacher Notes:</p>	

The life science standards provide a framework for a variety of courses in the life sciences. Evolution is a key theoretical framework for the life sciences; these indicators should be part of any life science course curriculum, including biology, botany, zoology, and microbiology.

▲ = Recommended Sr. High Assessed Indicator

**STANDARD 3: LIFE SCIENCE**

**GRADES 8-12**

**LIFE SCIENCE – The student will develop an understanding of the cell, molecular basis of heredity, biological evolution, interdependence of organisms, matter, energy, and organization in living systems, and the behavior of organisms.**

**Benchmark 4: The student will understand the interdependence of organisms and their interaction with the physical environment.**

Grades 8-12 Indicators	Additional Specificity
<p>The student ...</p> <ol style="list-style-type: none"> <li>1. ▲ understands atoms and molecules on the Earth cycle among the living and nonliving components of the biosphere.</li> <li>2. understands energy is received, transformed and expended in ecosystems.</li> <li>3. ▲ understands the distribution and abundance of organisms and populations in ecosystems are limited by the carrying capacity.</li> <li>4. understands organisms cooperate and compete in complex, interdependent relationships</li> <li>5. understands human beings live within and impact ecosystems.</li> </ol>	<ol style="list-style-type: none"> <li>1. The essential chemical elements for life circulate in the biosphere in characteristic paths known as biogeochemical cycles (e.g., cycles for water, nitrogen, carbon, oxygen, etc.).</li> <li>2.             <ol style="list-style-type: none"> <li>a. Radiant energy that enters the biosphere is balanced by the energy that leaves the earth into space as radiant energy, primarily heat.</li> <li>b. Transfer of energy through a series of organisms in an ecosystem is known as a food web.</li> <li>c. Organisms and ecosystems expend energy, much of which is released as heat, to maintain a high state of internal order.</li> </ol> </li> <li>3.             <ol style="list-style-type: none"> <li>a. The carrying capacity is determined by the availability of matter and energy, and the ability of the ecosystem to recycle materials.</li> <li>b. Living organisms produce more offspring than environmental resources can support, resulting in a competition for resources.</li> </ol> </li> <li>4. These relationships include;             <ol style="list-style-type: none"> <li>a. predator-prey relationships.</li> <li>b. symbiotic relationships (parasitism, mutualism, commensalism).</li> </ol> </li> <li>5.             <ol style="list-style-type: none"> <li>a. Humans modify ecosystems as a result of population growth, technology, and consumption.</li> <li>b. Human modifications of habitats through direct harvesting, pollution, atmospheric changes, and other factors affect ecosystem stability.</li> </ol> </li> </ol>

Teacher Notes:

The life science standards provide a framework for a variety of courses in the life sciences. Ecology concepts are key to understanding life; these indicators provide a framework for local curriculum for courses such as biology, botany, and zoology.

▲ = Recommended Sr. High Assessed Indicator

**STANDARD 3: LIFE SCIENCE**

**GRADES 8-12**

**LIFE SCIENCE – The student will develop an understanding of the cell, molecular basis of heredity, biological evolution, interdependence of organisms, matter, energy, and organization in living systems, and the behavior of organisms.**

**Benchmark 5: The student will develop an understanding of matter, energy, and organization in living systems.**

Grades 8-12 Indicators	Additional Specificity
<p>The student ...</p> <ol style="list-style-type: none"> <li>1. understands living systems require a continuous input of energy to maintain their chemical and physical organization.</li> <li>2. ▲ understands the Sun is the primary source of energy for life through the process of photosynthesis.</li> <li>3. ▲ understands food molecules contain biochemical energy, which is then available for cellular respiration.</li> </ol>	<ol style="list-style-type: none"> <li>1. Without the input of energy, all matter tends toward more disorganized states. With death and the cessation of energy intake, living systems rapidly disintegrate.</li> <li>2.             <ol style="list-style-type: none"> <li>a. Plants and other photosynthetic organisms use energy to make organic compounds (primarily glucose) from carbon dioxide and water (CO<sub>2</sub> and H<sub>2</sub>O) through a series of biochemical reactions.</li> <li>b. The energy in these compounds is used to assemble larger molecules with biological activity, including proteins, DNA, carbohydrates, and fats.</li> <li>c. These molecules serve as sources of energy for the plants themselves and for many other organisms through food webs.</li> <li>d. Chemosynthetic organisms, unlike photosynthetic organisms, use energy from chemical compounds to maintain life functions.</li> </ol> </li> <li>3.             <ol style="list-style-type: none"> <li>a. Energy is released when the food molecules are broken down into simpler compounds.</li> <li>b. Energy is transferred to adenosine triphosphate (ATP) through cellular respiration.</li> <li>c. Most biochemical reactions, fueled by ATP, are catalyzed by enzymes.</li> </ol> </li> </ol>

4. understands the structure and function of an organism serves to acquire, transform, transport, release, and eliminate the matter and energy used to sustain the organism.	
--	--

Teacher Notes:

The life science standards provide a framework for a variety of courses in the life sciences. This benchmark integrates important physical science and earth science concepts into the study of life. These indicators may be included in local curriculum in any life science course.

▲ = Recommended Sr. High Assessed Indicator

**STANDARD 3: LIFE SCIENCE**

**GRADES 8-12**

**LIFE SCIENCE – The student will develop an understanding of the cell, molecular basis of heredity, biological evolution, interdependence of organisms, matter, energy, and organization in living systems, and the behavior of organisms.**

**Benchmark 6: The student will understand the behavior of animals.**

Grades 8-12 Indicators	Additional Specificity
<p>The student ...</p> <ol style="list-style-type: none"> <li>1. ▲ understands animals have behavioral responses to internal changes and to external stimuli.</li>   <li>2. understands most multicellular animals have nervous systems that underlie behavior.</li>   <li>3. understands behaviors are often adaptive when viewed in terms of survival and reproductive success.</li> </ol>	<ol style="list-style-type: none"> <li>1.               <ol style="list-style-type: none"> <li>a. Responses to external stimuli can result from interactions with the organism's own species and others, as well as environmental changes.</li>   <li>b. These responses can be innate and/or learned.</li>   <li>c. Animals often live in unpredictable environments, and so their behavior must be flexible enough to deal with uncertainty and change.</li> </ol> </li>   <li>2.               <ol style="list-style-type: none"> <li>a. Nervous systems are formed from specialized cells that conduct signals rapidly through the long cell extensions that make up nerves.</li>   <li>b. The nerve cells communicate with each other by secreting specific excitatory and inhibitory molecules.</li>   <li>c. Sense organs, specialized cells that detect light, sound, touch and specific chemicals, enable animals to monitor what is going on in the world around them.</li> </ol> </li>   <li>3.               <ol style="list-style-type: none"> <li>a. Common behaviors include seeking food, seeking mates, raising young, avoiding predators, and regulating body temperature.</li>   <li>b. Some organisms live in groups and have social behaviors that benefit both the individual and the group.</li> </ol> </li> </ol>

Teacher Notes:

The life science standards provide a framework for a variety of courses in the life sciences. These indicators may be included in local curriculum for any life sciences course, and are key concepts for a course focusing on human anatomy and physiology. Human anatomy, physiology and health are vital topics for students to understand. See Kansas Health and PE Standards for additional information.

▲ = Recommended Sr. High Assessed Indicator

**STANDARD 3: LIFE SCIENCE**

**GRADES 8-12**

**LIFE SCIENCE – The student will develop an understanding of the cell, molecular basis of heredity, biological evolution, interdependence of organisms, matter, energy, and organization in living systems, and the behavior of organisms.**

**Benchmark 7: The student will demonstrate an understanding of the diversity of structure and function in organisms.**

Grades 8-12 Indicators	Additional Specificity
<p>The student ...</p> <ol style="list-style-type: none"> <li>1. ▲ understands differences in structure and function among organisms and can identify the characteristics of relevant life forms.</li>   <li>2. understands taxonomy is the systematic way in which organisms are placed into a hierarchical classification system, according to their physical and genetic characteristics and their evolutionary history.</li> </ol>	<ol style="list-style-type: none"> <li>1.               <ol style="list-style-type: none"> <li>a. Major structural differences among organisms include unicellular and multicellular, plants and animals, and invertebrates and vertebrates.</li>   <li>b. Common functions include digestion, respiration, excretion, locomotion, communication and reproduction.</li> </ol> </li>   <li>2.               <ol style="list-style-type: none"> <li>a. All organisms are classified into one of a number of kingdoms, the broadest taxonomic category.</li>   <li>b. All organisms are classified into a number of intermediate categories, of which species is the most specific.</li> </ol> </li> </ol>
<p>Teacher notes:            The life science standards provide a framework for a variety of courses in the life sciences. These indicators may be included in local curriculum for any life sciences course and are key concepts for a course focusing on human anatomy and physiology. Human anatomy, physiology and health are vital topics for students to understand. See Kansas Health and Physical Education (PE) Standards for additional information.</p> <p>▲ = Recommended Sr. High Assessed Indicator</p>	

**STANDARD 3: LIFE SCIENCE**

**GRADES 8-12**

**LIFE SCIENCE – The student will develop an understanding of the cell, molecular basis of heredity, biological evolution, interdependence of organisms, matter, energy, and organization in living systems, and the behavior of organisms.**

**Benchmark 8: The student will demonstrate an understanding of the diversity of structure and function in organisms and their human relationships and medical effects.**

Grades 8-12 Indicators	Additional Specificity
<p>The student ...</p> <ol style="list-style-type: none"><li>1. understands and can identify general variations in structure, function, ecology and medical effects of microbiological agents.</li> <li>2. understands and can identify general variations in structure, function, ecology and medical effects of fungi.</li> <li>3. understands and can identify general variations in structure, function, ecology and human relationships of plants.</li></ol>	<ol style="list-style-type: none"><li>1. <ol style="list-style-type: none"><li>a. Viruses are genetic material encased in a protein shell and can only reproduce in a host organism; vaccines are effective for viral infection but antibiotics are not.</li> <li>b. Bacteria are highly diverse prokaryotes and have important roles in the cycling of materials, the chemical industry, and as disease agents.</li> <li>c. Protists are unicellular eukaryotes; some are disease agents.</li></ol></li> <li>2. Fungi are vital decomposers, plant symbionts, a source of antibiotics and food, and some can also cause diseases.</li> <li>3. <ol style="list-style-type: none"><li>a. Variation in plant structures is important in understanding the function of plants in farming, discovering pharmaceutical products, etc.</li> <li>b. Photosynthesis is the basis for nearly all food chains and our food production.</li> <li>c. Understanding plant biology underlies a scientific understanding of ecology.</li></ol></li></ol>

<p>4. understands and can identify general variations in structure, function, ecology and medical effects of major animal groups.</p> <p>5. understands and can identify the general anatomy and physiology of the human body.</p>	<p>4. a. Variation in animals is important in understanding the role of animals in farming, medical research, etc.</p> <p>b. Understanding animal biology underlies a scientific understanding of ecology.</p> <p>5. a. Organ systems have specific structures and functions and interact with each other.</p> <p>b. Infections, developmental problems, trauma, and aging result in specific diseases and disorders.</p>
--	---

**STANDARD 4: EARTH AND SPACE SCIENCE**

**GRADES 8-12**

**EARTH AND SPACE SCIENCE – The student will develop an understanding of energy in the Earth system, geochemical cycles, the formation and organization of the Earth system, the dynamics of the earth/moon/sun system, and the organization and development of the universe.**

**Benchmark 1: The student will develop an understanding of the sources of energy that power the subsystems and cycles of the dynamic Earth: the geosphere, hydrosphere, atmosphere and biosphere.**

Grades 8-12 Indicators	Additional Specificity
<p>The student ...</p> <ol style="list-style-type: none"> <li>1. understands constructive and destructive processes dynamically reshape the surface of the Earth.</li>   <li>2. ▲ understands the theory of plate tectonics explains that internal energy drives the Earth’s ever changing structure.</li>   <li>3. understands that the ultimate source of atmospheric and oceanic energy comes from the Sun. Energy flow determines global climate and weather which is influenced by geographic features, cloud cover, and the Earth’s rotation.</li> </ol>	<ol style="list-style-type: none"> <li>1.               <ol style="list-style-type: none"> <li>a. Constructive and destructive processes include erosion and deposition.</li>   <li>b. Water, glaciers, winds, waves, and gravity are weathering and erosion agents.</li> </ol> </li>   <li>2.               <ol style="list-style-type: none"> <li>a. Movable continental and oceanic plates make up Earth's surface; the hot, convecting mantle is the energy source for plate movement.</li>   <li>b. Convection circulation in the mantle is driven by the outward transfer of Earth's internal heat.</li>   <li>c. Systems on Earth's surface are powered principally by the Sun and contain an essentially fixed amount of each stable chemical atom or element.</li>   <li>d. Rocks, water, carbon dioxide, oxygen, carbon and other nutrients cycle through different forms as a result of cycle biological and geologic processes.</li> </ol> </li>   <li>3.               <ol style="list-style-type: none"> <li>a. Energy from the Sun heats the oceans and the atmosphere, and drives oceanic and atmospheric circulation.</li>   <li>b. Human activity impacts global climate.</li>   <li>c. The composition and structure of Earth's atmosphere is a factor in the Earth's suitability to support life.</li> </ol> </li> </ol>

	<p>d. Weather patterns and seasonal weather change are multi-variable phenomena.</p> <p>e. Biogeochemical cycles are an example of the integration of earth, physical, and biological science concepts.</p> <p>f. Weather in the troposphere redistributes water on the surface of the Earth through the water cycle.</p> <p>g. The ozone layer in the upper stratosphere filters UV radiation which is harmful to living things.</p> <p>h. Gamma radiation and other high energy radiation from the Sun are filtered by the upper atmosphere.</p> <p>i. Concepts and skills include basic weather forecasting, weather maps, fronts, pressure systems, severe storms and safety precautions.</p>
<p>Teacher Notes:  The concepts of energy in Earth's dynamic subsystems and cycles are concepts that integrate earth/space and physical and biological sciences. These concepts may be a part of local curriculum in courses other than earth/space science. Astronomy (space science) indicators related to light and forces can be addressed in physics and physical science courses.</p> <p>▲ = Recommended Sr. High Assessed Indicator</p>	

**STANDARD 4: EARTH AND SPACE SCIENCE**

**GRADES 8-12**

**EARTH AND SPACE SCIENCE – The student will develop an understanding of energy in the Earth system, geochemical cycles, the formation and organization of the Earth system, the dynamics of the earth/moon/sun system, and the organization and development of the universe.**

**Benchmark 2: The student will develop an understanding of the origin and development of the dynamic Earth system.**

Grades 8-12 Indicators	Additional Specificity
<p>The student ...</p> <p>1. ▲ understands geological time is used to understand the Earth's past.</p>	<p>1. a. Radioactive dating and relative dating (i.e., stratigraphy, fossils) are used to estimate the time rocks were formed.</p> <p>b. Earth changes can be short term (during a human's lifetime), such as earthquakes and volcanic eruptions, or long term (over a geological time scale), such as mountain building and plate movements.</p> <p>c. The Earth's atmosphere has changed over time. For example, the dramatic changes in Earth's atmosphere (i.e., introduction of O<sub>2</sub>) which was affected by the emergence of life on Earth.</p> <p>d. Relates geologic evidence to a record of Earth's history.</p> <p>e. Matching coastlines, similarities in rock types, similarities in fossils and life forms suggest that today's continents are separated parts of what was long ago a single continent.</p>
<p>Teacher Notes:                      The concepts of energy in Earth's dynamic subsystems and cycles are concepts that integrate earth/space, physical and biological sciences. These concepts may be a part of local curriculum in courses other than earth/space science. Astronomy (space science) indicators related to light and forces can be addressed in physics and physical science courses.</p> <p>▲ = Recommended Sr. High Assessed Indicator</p>	

**STANDARD 4: EARTH AND SPACE SCIENCE**

**GRADES 8-12**

**EARTH AND SPACE SCIENCE – The student will develop an understanding of energy in the Earth system, geochemical cycles, the formation and organization of the Earth system, the dynamics of the earth/moon/sun system, and the organization and development of the universe.**

**Benchmark 3: The student will develop an understanding of dynamics of our solar system.**

Grades 8-12 Indicators	Additional Specificity
<p>The student ...</p> <ol style="list-style-type: none"> <li>1. understands gravitational attraction of objects in the solar system keeps solar system objects in orbit.</li>   <li>2. ▲ understands the relationship between the Earth, Moon, and Sun explains the seasons, tides and moon phases.</li>   <li>3. understands the relative sizes and distances of objects in the solar system.</li>   <li>4. understands the Sun, Earth, and other objects in the solar system formed from a nebular cloud of dust and gas.</li> </ol>	<ol style="list-style-type: none"> <li>1.               <ol style="list-style-type: none"> <li>a. Kepler’s laws describe planetary motion.</li> <li>b. Newton’s laws of inertia and gravity explain orbital motion.</li> <li>c. Because of the Sun’s large mass, the Sun is the primary gravitational force in the solar system.</li> </ol> </li>   <li>2.               <ol style="list-style-type: none"> <li>a. The angle of incidence of solar energy striking earth’s surface effect the amount of heat energy absorbed at Earth’s surface.</li> <li>b. The gravitational relationship between the Earth, Moon, and Sun causes tides.</li> </ol> </li> </ol>
<p>Teacher Notes:            The concepts of energy in Earth’s dynamic subsystems and cycles are concepts that integrate earth/space, physical and biological sciences. These concepts may be a part of local curriculum in courses other than earth/space science. Astronomy (space science) indicators related to light and forces can be addressed in physics and physical science courses.</p> <p>▲ = Recommended Sr. High Assessed Indicator</p>	

**STANDARD 4: EARTH AND SPACE SCIENCE**

**GRADES 8-12**

**EARTH AND SPACE SCIENCE – The student will develop an understanding of energy in the Earth system, geochemical cycles, the formation and organization of the Earth system, the dynamics of the earth/moon/sun system, and the organization and development of the universe.**

**Benchmark 4: The student will develop an understanding of the organization of the universe and its development.**

Grades 8-12 Indicators	Additional Specificity
<p>The student ...</p> <ol style="list-style-type: none"> <li>1. ▲ understands stellar evolution.</li>   <li>2. ▲ understands the current scientific explanation of the origin and structure of the universe.</li> </ol>	<ol style="list-style-type: none"> <li>1.               <ol style="list-style-type: none"> <li>a. Condensation of gases, due to gravity, is a foundation for the formation of stars.</li> <li>b. The life cycle of the star begins with the nebula, which contains mostly hydrogen and helium. Heavier elements were, and continue to be, made by the nuclear fusion reactions in stars.</li> <li>c. The Hertzsprung-Russell (H-R) diagram is used to classify stars. The Sun is a main sequence star.</li> <li>d. Stars are classified by their color, temperature, age, apparent brightness and distance from Earth.</li> </ol> </li>   <li>2.               <ol style="list-style-type: none"> <li>a. The formation of the universe began with an expansion of gases from a hot, dense state. By studying the light emitted from distant galaxies, it has been found that galaxies are moving apart from one another.</li> <li>b. The red shift of light, within the Doppler effect, emitted by distance galaxies supports the conclusion that the universe is expanding.</li> <li>c. Galaxies are a level of organization of the universe. There are at least 100 billion galaxies in the observable universe. Galaxies are organized into superclusters with large voids between them.</li> <li>d. The Sun is a second-generation star, which, along with our galaxy (the Milky Way which includes about 100 billion stars) formed billions of years after the Big Bang.</li> </ol> </li> </ol>

<p>3. understands how the tools of astronomy have revolutionized the study of the universe.</p>	<p>3.</p> <ul style="list-style-type: none"> <li>a. Current telescopes can measure across the electromagnetic spectrum.</li> <li>b. Spectral analysis is used to determine chemical composition and energy of stars.</li> <li>c. Relative mass of objects can be determined by observing motion of objects in space and the effect one object's gravity has on another.</li> <li>d. The tools and skills of astronomers have changed through time: ancient astronomy (Stonehenge, Greeks, Chinese, Aristotle) through modern astronomy (Copernicus to present).</li> <li>e. Astronomical tools and skills allow astronomers to research phenomena and objects that cannot be observed and measured directly.</li> </ul>
<p>Teacher Notes:  The concepts of energy in Earth's dynamic subsystems and cycles are concepts that integrate earth/space, physical and biological sciences. These concepts may be a part of local curriculum in courses other than earth/space science. Astronomy (space science) indicators related to light and forces can be addressed in physics and physical science courses.</p> <p>▲ = Recommended Sr. High Assessed Indicator</p>	

**STANDARD 5: SCIENCE AND TECHNOLOGY**

**GRADES 8-12**

**SCIENCE AND TECHNOLOGY – The student will develop understandings about the relationship between science and technology.**

**Benchmark 1: The student will develop an understanding that technology is applied science.**

Grades 8-12 Indicators	Additional Specificity
<p>The student ...</p> <ol style="list-style-type: none"> <li>1. ▲ understands technology is the application of scientific knowledge for functional purposes.</li>   <li>2. understands creativity, imagination, and a broad scientific knowledge base are required to produce useful results.</li>   <li>3. understands science advances new technologies. New technologies open new areas for scientific inquiry.</li> </ol>	<ol style="list-style-type: none"> <li>1.               <ol style="list-style-type: none"> <li>a. Technology is driven by the need to meet human needs and solve human problems.</li>   <li>b. Engineering is the practical application of science to commerce or industry.</li>   <li>c. Medicine is a practical application of science to human health.</li>   <li>d. All technological advances contain a potential for both gains and risks for society.</li> </ol> </li>   <li>3.               <ol style="list-style-type: none"> <li>a. Technological knowledge may be kept confidential because of the commercial or military potential of the idea or invention.</li>   <li>b. Invention which produces a new device, method or process is developed from study and experimentation often utilizing technology.</li> </ol> </li> </ol>
<p>Teacher Notes:</p> <p>▲ = Recommended Sr. High Assessed Indicator</p>	

**STANDARD 6: SCIENCE IN PERSONAL AND ENVIRONMENTAL PERSPECTIVES**

**GRADES 8-12**

**SCIENCE IN PERSONAL AND ENVIRONMENTAL PERSPECTIVES – The student will develop an understanding of personal and community health, population growth, natural resources, environmental quality, natural and human-induced hazards, and science and technology in local, national, and global settings.**

**Benchmark 1: The student will develop an understanding of the overall functioning of human systems and their interaction with the environment in order to understand specific mechanisms and processes related to health issues.**

Grades 8-12 Indicators	Additional Specificity
<p>The student ...</p> <ol style="list-style-type: none"> <li>1. understands some chemical and physical hazards and accidents can be avoided through safety education.</li> <li>2. ▲ understands the severity of disease symptoms is dependent on many factors.</li> <li>3. understands informed personal choices concerning fitness and health involve an understanding of chemistry and biology.</li> <li>4. understands selection of foods and eating patterns determine nutritional balance which affects emotional and physical well-being.</li> </ol>	<ol style="list-style-type: none"> <li>2.               <ol style="list-style-type: none"> <li>a. These factors include age, genetic predisposition, nutrition, and environmental factors.</li> <li>b. Many diseases can be prevented, controlled, or cured. Some diseases are communicable and some are not.</li> </ol> </li> </ol>
<p>Teacher Notes: See Kansas Health and PE Standards for additional guidance for health education.</p> <p>▲ = Recommended Sr. High Assessed Indicator</p>	

**STANDARD 6: SCIENCE IN PERSONAL AND ENVIRONMENTAL PERSPECTIVES**

**GRADES 8-12**

**SCIENCE IN PERSONAL AND ENVIRONMENTAL PERSPECTIVES – The student will develop an understanding of personal and community health, population growth, natural resources, environmental quality, natural and human-induced hazards, and science and technology in local, national, and global settings.**

**Benchmark 2: The student will demonstrate an understanding of population growth.**

Grades 8-12 Indicators	Additional Specificity
<p>The student ...</p> <ol style="list-style-type: none"><li>1. understands the rate of change in populations is determined by the combined effects of birth, death, emigration, and immigration.</li><li>2. understands a variety of factors influence birth rates and fertility rates.</li><li>3. understands populations have limits to growth.</li></ol>	<ol style="list-style-type: none"><li>1. Populations can increase through exponential growth.</li><li>2. Population growth changes resource availability and changes environmental conditions.</li></ol>
<p>Teacher Notes:</p> <p>▲ = Recommended Sr. High Assessed Indicator</p>	

**STANDARD 6: SCIENCE IN PERSONAL AND ENVIRONMENTAL PERSPECTIVES**

**GRADES 8-12**

**SCIENCE IN PERSONAL AND ENVIRONMENTAL PERSPECTIVES – The student will develop an understanding of personal and community health, population growth, natural resources, environmental quality, natural and human-induced hazards, and science and technology in local, national, and global settings.**

**Benchmark 3: The student will understand that human populations use natural resources and influence environmental quality.**

Grades 8-12 Indicators	Additional Specificity
<p>The student ...</p> <ol style="list-style-type: none"> <li>1. ▲ understands natural resources from the lithosphere and ecosystems are required to sustain human populations.</li>   <li>2. understands Earth does not have infinite resources.</li> </ol>	<ol style="list-style-type: none"> <li>1.               <ol style="list-style-type: none"> <li>a. These processes of ecosystems include maintenance of the atmosphere, generation of soils, control of the hydrologic cycle, and recycling of nutrients. Humans are altering many of these processes, and the changes may be detrimental, beneficial, or both to ecosystem function.</li>   <li>b. Natural systems can reuse waste, but this capacity is limited. Recycling and environmentally sound decisions improve the quality of human life.</li> </ol> </li>   <li>2.               <ol style="list-style-type: none"> <li>a. Increasing human consumption places stress on most renewable resources and depletes non-renewable resources.</li>   <li>b. Carrying capacity is the maximum number of organisms that can be sustained in a given environment. Natural resources limit the capacity of ecosystems to sustain populations.</li> </ol> </li> </ol>
<p>Teacher Notes:</p> <p>▲ = Recommended Sr. High Assessed Indicator</p>	

**STANDARD 6: SCIENCE IN PERSONAL AND ENVIRONMENTAL PERSPECTIVES**

**GRADES 8-12**

**SCIENCE IN PERSONAL AND ENVIRONMENTAL PERSPECTIVES – The student will develop an understanding of personal and community health, population growth, natural resources, environmental quality, natural and human-induced hazards, and science and technology in local, national, and global settings.**

**Benchmark 4: The student will understand the effect of natural and human-influenced hazards.**

Grades 8-12 Indicators	Additional Specificity
<p>The student ...</p> <ol style="list-style-type: none"><li>1 understands that natural processes on the Earth may be hazardous for humans.</li><li>2. understands there is a need to assess potential risk and danger from natural and human-induced hazards.</li></ol>	<ol style="list-style-type: none"><li>1. Humans live at the interface between two dynamically changing systems, the atmosphere and earth’s crust. Human beings need to make informed choices about potential disruption by natural processes (such as volcanic activity, earthquake zones, severe weather, flood plains, etc.).</li><li>2. Human-initiated changes in the environment bring benefits as well as risks to society. Various changes have costs and benefits. For example, vaccinations are a benefit for our society but can have risks for individuals.</li></ol>
Teacher Notes:	

**STANDARD 6: SCIENCE IN PERSONAL AND ENVIRONMENTAL PERSPECTIVES**

**GRADES 8-12**

**SCIENCE IN PERSONAL AND ENVIRONMENTAL PERSPECTIVES – The student will develop an understanding of personal and community health, population growth, natural resources, environmental quality, natural and human-induced hazards, and science and technology in local, national, and global settings.**

**Benchmark 5: The student will develop an understanding of the relationship between science, technology, and society.**

Grades 8-12 Indicators	Additional Specificity
The student ...  1. understands progress in science and technology can be affected by social issues and challenges. Science and technology indicate what can happen, not what should happen.	1. Increased use of antibiotics may also increase human resistance to antibiotics.
Teacher Notes:  ▲ = Recommended Sr. High Assessed Indicator	

**STANDARD 7: HISTORY AND NATURE OF SCIENCE**

**GRADES 8-12**

**HISTORY AND NATURE OF SCIENCE – The student will develop understanding of science as a human endeavor, the nature of scientific knowledge, and historical perspectives.**

**Benchmark 1: The student will develop an understanding that science is a human endeavor that uses models to describe and explain the physical universe.**

Grades 8-12 Indicators	Additional Specificity
<p>The student...</p> <ol style="list-style-type: none"> <li>1. demonstrates an understanding of science as both vocation and avocation.</li> <li>2. ▲ explains how science uses peer review, replication of methods, and norms of honesty.</li> <li>3. recognizes the universality of basic science concepts and the influence of personal and cultural beliefs that embed science in society.</li> <li>4. recognizes that society helps create the ways of thinking (mindsets) required for scientific advances, both toward training scientists and educating a populace to utilize benefits of science (e.g., standards of hygiene, attitudes toward forces of nature, etc.).</li> <li>5. understands there are many issues which involve morals, ethics, values or spiritual beliefs that go beyond what science can explain, but for which solid scientific literacy is useful.</li> <li>6. recognizes society’s role in supporting topics of research and determining institutions where research is conducted.</li> </ol>	<ol style="list-style-type: none"> <li>1. Science is used by researchers to develop new medicines and by parents to promote the health of their families.</li> <li>2. Scientific knowledge is made public through presentations at professional meetings, articles in scientific journals and other peer reviewed literature.</li> <li>3. Decisions the culture makes about bioethics and the use and extraction of natural resources are significantly impacted by scientific knowledge.</li> <li>5. Common examples involve bioethics, environmental issues, and military applications.</li> </ol>
<p>Teacher Notes:</p> <p>▲ = Recommended Sr. High Assessed Indicator</p>	

**STANDARD 7: HISTORY AND NATURE OF SCIENCE**

**GRADES 8-12**

**HISTORY AND NATURE OF SCIENCE – The student will develop understanding of science as a human endeavor, the nature of scientific knowledge, and historical perspectives.**

**Benchmark 2: The student will develop an understanding of the nature of scientific knowledge.**

Grades 8-12 Indicators	Additional Specificity
<p>The student ...</p> <ol style="list-style-type: none"> <li>1. understands scientific knowledge describes and explains the natural world. Scientific knowledge is provisional and is subject to change as new evidence becomes available.</li>   <li>2. understands scientific knowledge begins with empirical observations, which are the data (also called facts or evidence) upon which further scientific knowledge is built.</li>   <li>3. understands scientific knowledge consists of hypotheses, inferences, laws, and theories.</li> </ol>	<ol style="list-style-type: none"> <li>1.               <ol style="list-style-type: none"> <li>a. Additional evidence can lead to further confirmation, revision and refinement, or rejection of previously accepted explanations.</li>   <li>b. Science that is truly open-ended, and that allows evidence rather than preconceptions to guide explanation is the strongest and allows for constant refining and improvement of its explanations.</li> </ol> </li>   <li>2.               <ol style="list-style-type: none"> <li>a. The breadth and depth of sensory observations are enhanced by technological instruments such as microscopes, telescopes, and oscilloscopes.</li>   <li>b. Observations often include measurements, to varying degrees of accuracy and precision, so they can be described and analyzed with mathematics.</li>   <li>c. Observational data is gathered in a number of ways, including controlled experiments, field studies, and the systematic observation of natural phenomena.</li> </ol> </li>   <li>3.               <ol style="list-style-type: none"> <li>a. A hypothesis is a testable statement that is subject to further investigation and potential confirmation.</li>   <li>b. An inference is a testable conclusion, based on previously established knowledge, observed evidence, and logic.</li>   <li>c. A law is a thoroughly tested descriptive generalization of a highly regular phenomenon, usually expressed in mathematical form.</li> </ol> </li> </ol>

<p>4. understands a testable hypothesis or inference must be subject to confirmation by empirical evidence.</p>	<p>d. A theory is a broad explanation that integrates a wide range of observations and tested hypotheses, inferences, and laws (when applicable) into a meaningful and coherent whole.</p> <p>e. Well established and widely accepted explanations have explanatory and predictive power and are fruitful as guides for further research.</p> <p>4. a. A valid hypothesis or inference must be potentially falsifiable.</p> <p>b. A hypothesis or inference is tested by making logical predictions about what observational data one would expect to exist, given the hypothesis, and then comparing actual observed data to the predicted data, which will either support or not support the hypothesis.</p>
<p>Teacher Notes:</p> <p>▲ = Recommended Sr. High Assessed Indicator</p>	

**STANDARD 7: HISTORY AND NATURE OF SCIENCE**

**GRADES 8-12**

**HISTORY AND NATURE OF SCIENCE – The student will develop understanding of science as a human endeavor, the nature of scientific knowledge, and historical perspectives.**

**Benchmark 3: The student will understand science from historical perspectives.**

Grades 8-12 Indicators	Additional Specificity
<p>The student...</p> <p>1. demonstrates an understanding of the history of science.</p>	<p>1. a. Modern science has been a successful enterprise that contributes to dramatic improvements in the human condition. Science has led to significant improvements in physical health and economic growth; however, modern science can sometimes be abused by scientists and policymakers, leading to significant negative consequences for society and violations of human dignity (e.g., the eugenics movement in America and Germany; the Tuskegee syphilis experiments; and scientific justifications of eugenics and racism).</p> <p>b. Science progresses by incremental advances of scientists or teams of scientists. In addition, it progresses by critical analysis of: 1) properly collected data; and 2) existing theories and hypotheses, which can lead to major new scientific advances (e.g., relativity, plate tectonics, quantum theory, biological evolution).</p> <p>c. Some advances that are fundamental and long-lasting include: Copernican revolution, Newtonian physics, relativity, geological time scale, plate tectonics, atomic theory, nuclear physics, biological evolution, germ theory, industrial revolution, molecular biology, quantum theory, and medical and health technology.</p>
<p>Teacher Notes:</p> <p>▲ = Recommended Sr. High Assessed Indicator</p>	